

DN 15 - 50			
PN 40			
	C.S.	S.S.	Low temp.
Tmin.	-10°C	-200°C	-50°C
Tmax.	+400°C	+400°C	+300°C

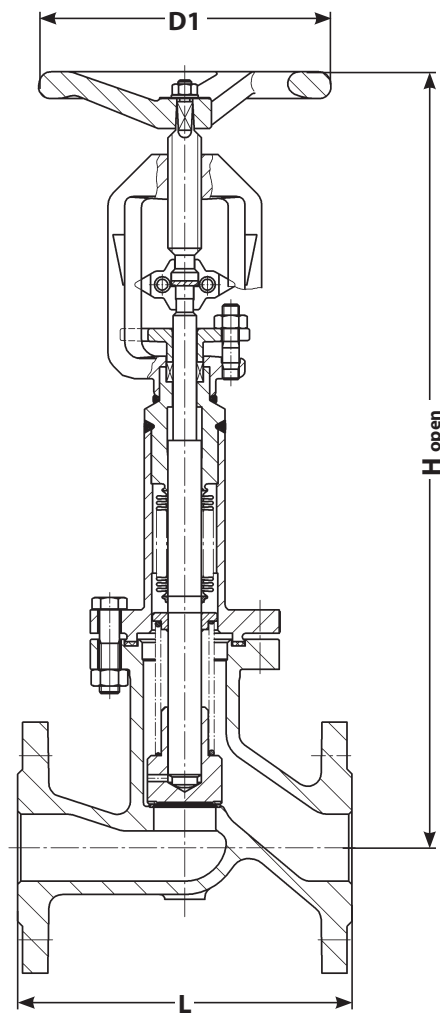
Permissible working pressure acc. EN 1092 - Part 1
Max. differential pressure acc. EN 13709
Terms of delivery DIN 3230/EN 12266-1
Face to face dimension acc. EN 558-1

**Available on request :**

Special corrosion resistant materials for:  
 Complete valve - Bellows - Trim  
 Soft sealing and regulating disc  
 Heating jacket

**Detailed information and more alternatives are given in the appendix.**

Component	Material		
	C.S.	S.S.	Low temp.
	19.1-G-FL	19.1-G-FL-A4	19.1-G-FL-TT
Body	1.0619	1.4408	1.1138
Body seat	1.4370	Stellite 21	1.4370
Bonnet	1.0460	1.4571	1.0566
Disc	1.4571	1.4571	1.4571
Disc surface	Stellit 6	Stellite 6	Stellite 6
Bellows	1.4571	1.4571	1.4571
Bonnet gasket		1.4571/graphite	
Bolts	A2/70	A2/70	A2/70
Nuts	A2/70	A2/70	A2/70
Gland packing		Pure graphite	
Gland	1.0420	1.4408	1.4408
Stem-upper part	1.4122	1.4122	1.4122
Stem-lower part	1.4571	1.4571	1.4571
Spring	1.4571	1.4571	1.4571
Handwheel	0.6020	0.6020	0.6020



DN	L [mm]	H <sub>open</sub> [mm]	D1 [mm]	G [kg]
15	130	375	150	11
20	150	375	150	12
25	160	385	150	12
32	180	485	175	16
40	200	485	175	18
50	230	520	200	21

Stop-check-valve, straight type, with flanges acc. EN 1092-1; with roll-formed stem screw thread and burnished shaft, coupled stem. Multiplewall liquid contacted bellows made of stainless steel, with anti torque device, tested for 10.000 cycles, metal back seat, safety stuffing box packing made of pure graphite, grooved bonnet gasket made of stainless steel 1.4571 with a coating of pure graphite on both sides, housed in a tongue and grooved flange.

The valve works as a spring check valve when it is fully open; when it is closed it works as a standard bellows sealed globe valve.

**Carbon steel:** Body made of cast material 1.0619, seat hardfaced with stainless steel 1.4370, disc made of s.s. 1.4571, sealing surface hardfaced with stellite 6.

**Stainless steel:** Body made of cast material 1.4408, seat hardfaced with stellite 21, disc made of s.s. 1.4571, sealing surface hardfaced with stellite 6.

**Low temperature steel:** Body made of cast material 1.1138, seat hardfaced with stainless steel 1.4370, disc made of s.s. 1.4571, sealing surface hardfaced with stellite 6.

# STOP-CHECK-VALVE, FLANGED ENDS

## 19.1-G-FL

DN 65 - 200			
PN 40			
	C.S.	S.S.	Low temp.
Tmin.	-10°C	-200°C	-50°C
Tmax.	+400°C	+400°C	+300°C

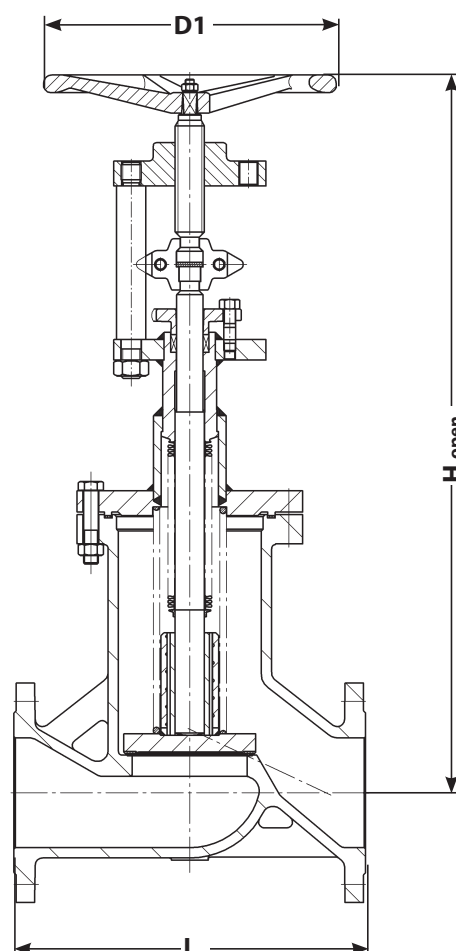
Permissible working pressure acc. EN 1092 - Part 1
Max. differential pressure acc. EN 13709
Terms of delivery DIN 3230/EN 12266-1
Face to face dimension acc. EN 558-1

### Available on request :

Special corrosion resistant materials for:  
 Complete valve - Bellows - Trim  
 Soft sealing and regulating disc  
 Heating jacket

Detailed information and more alternatives are given in the appendix.

Component	Material		
	C.S.	S.S.	Low temp.
	19.1-G-FL	19.1-G-FL-A4	19.1-G-FL-TT
Body	1.0619	1.4408	1.1138
Body seat	1.4370	Stellite 21	1.4370
Bonnet	1.0460	1.4571	1.0566
Disc	1.4571/1.0460	1.4571	1.4571
Disc surface	Stellite 6/1.4009	Stellite 6	Stellite 6
Bellows	1.4571	1.4571	1.4571
Bonnet gasket		1.4571/graphite	
Bolts	A2/70	A2/70	A2/70
Nuts	A2/70	A2/70	A2/70
Gland packing		Pure graphite	
Gland	1.0420	1.4408	1.4408
Stem-upper part	1.4122	1.4122	1.4122
Stem-lower part	1.4571	1.4571	1.4571
Spring	1.4310/1.4571	1.4571	1.4310/1.4571
Handwheel	0.6020	0.6020	0.6020



DN	L [mm]	H <sub>open</sub> [mm]	D1 [mm]	G [kg]
65	290	480	200	34
80	310	645	250	48
100	350	640	300	64
125	400	645	300	84
150	480	1040	400	163
200	600	1000	400	263

Stop-check-valve, straight type, with flanges acc. EN 1092-1; with roll-formed stem screw thread and burnished shaft, coupled stem. Multiplewall liquid contacted bellows made of stainless steel, with anti torque device, tested for 10.000 cycles, metal back seat, safety stuffing box packing made of pure graphite, grooved bonnet gasket made of stainless steel 1.4571 with a coating of pure graphite on both sides, housed in a tongue and grooved flange.

Bonnet design DN 65 - 125 with yoke; from DN 150 and above with column and screwed flange.

The valve works as a spring check valve when it is fully open; when it is closed it works as a standard bellows sealed globe valve.

**Carbon steel:** Body made of cast material 1.0619, seat hardfaced with stainless steel 1.4370, disc made of s.s. 1.4571, sealing surface hardfaced with stellite 6 up to DN 100; above made of 1.0460, hardfaced with 1.4009.

**Stainless steel:** Body made of cast material 1.4408, seat hardfaced with stellite 21, disc made of s.s. 1.4571, sealing surface hardfaced with stellite 6.

**Low temperature steel:** Body made of cast material 1.1138, seat hardfaced with stainless steel 1.4370, disc made of s.s. 1.4571, sealing surface hardfaced with stellite 6.

DN 15 - 50			
PN 40			
	C.S.	S.S.	Low temp.
Tmin.	-10°C	-200°C	-50°C
Tmax.	+400°C	+400°C	+300°C

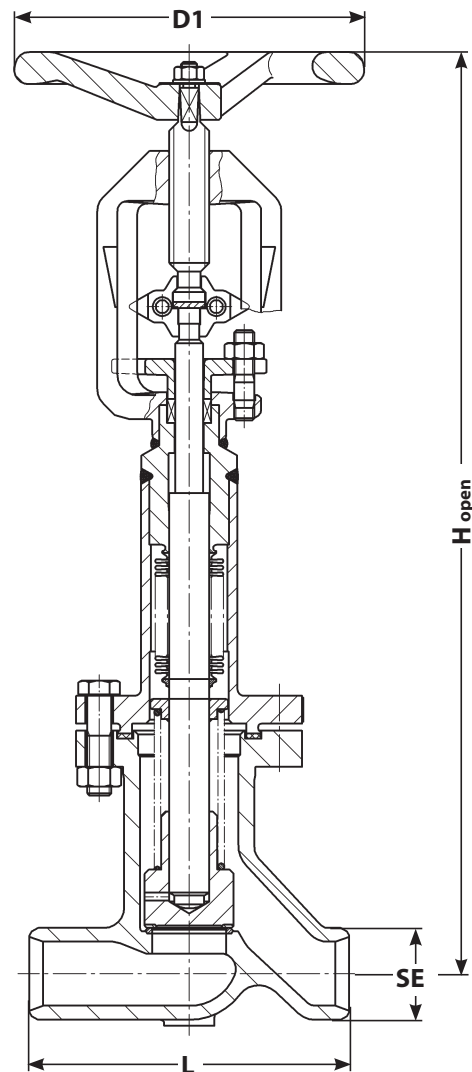
Permissible working pressure acc. EN 1092 - Part 1
Max. differential pressure acc. EN 13709
Terms of delivery DIN 3230/EN 12266-1
Face to face dimension acc. EN 12982

### Available on request :

Special corrosion resistant materials for:  
 Complete valve - Bellows - Trim  
 Soft sealing and regulating disc  
 Heating jacket

Detailed information and more alternatives are given in the appendix.

Component	Material		
	C.S.	S.S.	Low temp.
	19.1-G-SE	19.1-G-SE-A4	19.1-G-SE-TT
Body	1.0619/1.0460	1.4408/1.4571	1.1138/1.0488
Body seat	1.4370	Stellite 21	1.4370
Bonnet	1.0460	1.4571	1.0566
Disc	1.4571	1.4571	1.4571
Disc surface	Stellite 6	Stellite 6	Stellite 6
Bellows	1.4571	1.4571	1.4571
Bonnet gasket		1.4571/graphite	
Bolts	A2/70	A2/70	A2/70
Nuts	A2/70	A2/70	A2/70
Gland packing		Pure graphite	
Gland	1.0420	1.4408	1.4408
Stem-upper part	1.4122	1.4122	1.4122
Stem-lower part	1.4571	1.4571	1.4571
Spring	1.4571	1.4571	1.4571
Handwheel	0.6020	0.6020	0.6020



DN	SE [mm]	L [mm]	H <sub>open</sub> [mm]	D1 [mm]	G [kg]
15	21,3*2,0	130	370	150	10
20	26,9*2,3	130	370	150	11
25	33,7*2,6	130	370	150	11
32	42,4*2,6	160	485	175	14
40	48,3*2,6	180	485	175	15
50	60,3*3,2	210	520	200	17

Stop-check-valve, straight type, with butt-weld ends acc. EN 12627; with roll-formed stem screw thread and bur-nished shaft, coupled stem. Multiple-wall liquid contacted bellows made of stainless steel, with anti torque device, tested for 10.000 cycles, metal back seat, safety stuffing box packing made of pure graphite, grooved bonnet gasket made of stainless steel 1.4571 with a coating of pure graphite on both sides, housed in a tongue and grooved flange. The valve works as a spring check valve when it is fully open; when it is closed it works as a standard bellows sealed globe valve.

**Carbon steel:** Body made of cast/forged material 1.0619/1.0460, seat hardfaced with stainless steel 1.4370, disc made of s.s. 1.4571, sealing surface hardfaced with stellite 6.

**Stainless steel:** Body made of cast/forged material 1.4408/1.4571, seat hardfaced with stellite 21, disc made of s.s. 1.4571, sealing surface hardfaced with stellite 6.

**Low temperature steel:** Body made of cast/forged material 1.1138/1.0488, seat hardfaced with stainless steel 1.4370, disc made of s.s. 1.4571, sealing surface hardfaced with stellite 6.

STOP-CHECK-VALVE, BUTTWELD ENDS

19.1-G-SE

<b>DN 65 - 200</b>			
<b>PN 40</b>			
	<b>C.S.</b>	<b>S.S.</b>	<b>Low temp.</b>
<b>Tmin.</b>	<b>-10°C</b>	<b>-200°C</b>	<b>-50°C</b>
<b>Tmax.</b>	<b>+400°C</b>	<b>+400°C</b>	<b>+300°C</b>

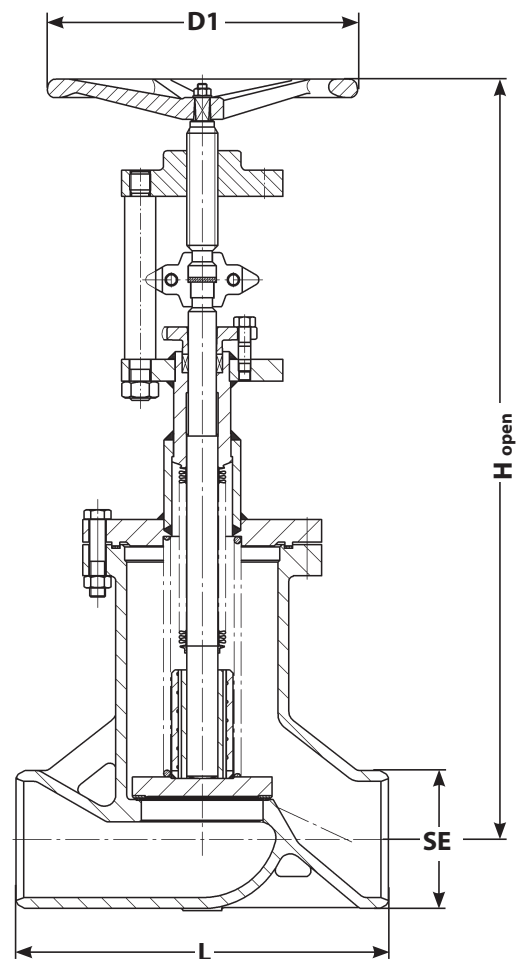
<b>Permissible working pressure acc. EN 1092 - Part 1</b>
<b>Max. differential pressure acc. EN 13709</b>
<b>Terms of delivery DIN 3230/EN 12266-1</b>
<b>Face to face dimension acc. EN 12982</b>

**Available on request :**

Special corrosion resistant materials for:  
 Complete valve - Bellows - Trim  
 Soft sealing and regulating disc  
 Heating jacket

**Detailed information and more alternatives are given in the appendix.**

Component	Material		
	C.S.	S.S.	Low temp.
	19.1-G-SE	19.1-G-SE-A4	19.1-G-SE-TT
Body	1.0619	1.4408	1.1138
Body seat	1.4370	Stellite 21	1.4370
Bonnet	1.0460	1.4571	1.0566
Disc	1.4571/1.0460	1.4571	1.4571
Disc surface	Stellite 6/1.4009	Stellite 6	Stellite 6
Bellows	1.4571	1.4571	1.4571
Bonnet gasket		1.4571/graphite	
Bolts	A2/70	A2/70	A2/70
Nuts	A2/70	A2/70	A2/70
Gland packing		Pure graphite	
Gland	1.0420	1.4408	1.4408
Stem-upper part	1.4122	1.4122	1.4122
Stem-lower part	1.4571	1.4571	1.4571
Spring	1.4310/1.4571	1.4571	1.4310/1.4571
Handwheel	0.6020	0.6020	0.6020



DN	SE [mm]	L [mm]	H <sub>open</sub> [mm]	D1 [mm]	G [kg]
65	76,1*3,6	290	480	200	26
80	88,9*4,0	310	645	250	38
100	114,3*5,0	350	640	300	46
125	139,7*4,5	400	645	300	80
150	168,3*5,6	480	1040	400	138
200	219,1*7,1	600	1000	600	223

Stop-check-valve, straight type, with buttweld ends acc. EN 12627; with roll-formed stem screw thread and burnished shaft, coupled stem. Multiplewall liquid contacted bellows made of stainless steel, with anti torque device, tested for 10.000 cycles, metal back seat, safety stuffing box packing made of pure graphite, grooved bonnet gasket made of stainless steel 1.4571 with a coating of pure graphite on both sides, housed in a tongue and grooved flange. Bonnet design DN 65 - 125 with yoke; from DN 150 and above with column and screwed flange.

The valve works as a spring check valve when it is fully open; when it is closed it works as a standard bellows sealed globe valve.

**Carbon steel:** Body made of cast material 1.0619, seat hardfaced with stainless steel 1.4370, disc made of s.s. 1.4571, sealing surface hardfaced with stellite 6 up to DN 100; above made of 1.0460, hardfaced with 1.4009.

**Stainless steel:** Body made of cast material 1.4408, seat hardfaced with stellite 21, disc made of s.s. 1.4571, sealing surface hardfaced with stellite 6.

**Low temperature steel:** Body made of cast material 1.1138, seat hardfaced with stainless steel 1.4370, disc made of s.s. 1.4571, sealing surface hardfaced with stellite 6.

DN 15 - 50			
PN 40			
	C.S.	S.S.	Low temp.
Tmin.	-10°C	-200°C	-50°C
Tmax.	+400°C	+400°C	+300°C

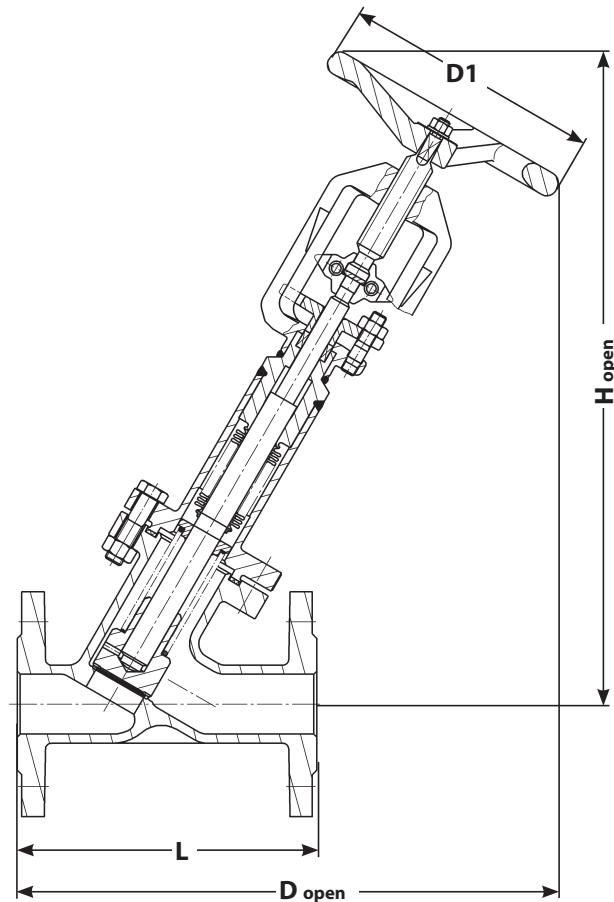
Permissible working pressure acc. EN 1092 - Part 1
Max. differential pressure acc. EN 13709
Terms of delivery DIN 3230/EN 12266-1
Face to face dimension acc. EN 558-1

**Available on request :**

Special corrosion resistant materials for:  
 Complete valve - Bellows - Trim  
 Soft sealing and regulating disc  
 Heating jacket

**Detailed information and more alternatives are given in the appendix.**

Component	Material		
	C.S.	S.S.	Low temp.
	19.1-S-FL	19.1-S-FL-A4	19.1-S-FL-TT
Body	1.0619	1.4408	1.1138
Body seat	1.4370	Stellite 21	1.4370
Bonnet	1.0460	1.4571	1.0566
Disc	1.4571	1.4571	1.4571
Disc surface	Stellite 6	Stellite 6	Stellite 6
Bellows	1.4571	1.4571	1.4571
Bonnet gasket		1.4571/graphite	
Bolts	A2/70	A2/70	A2/70
Nuts	A2/70	A2/70	A2/70
Gland packing		Pure graphite	
Gland	1.0420	1.4408	1.4408
Stem-upper part	1.4122	1.4122	1.4122
Stem-lower part	1.4571	1.4571	1.4571
Spring	1.4571	1.4571	1.4571
Handwheel	0.6020	0.6020	0.6020



DN	L [mm]	D <sub>open</sub> [mm]	H <sub>open</sub> [mm]	D1 [mm]	G [kg]
15	130	275	370	150	11
20	150	270	370	150	12
25	160	280	375	150	12
32	180	350	455	175	16
40	200	375	455	175	18
50	230	425	500	200	21

Stop-check-valve, y-type, with flanges acc. EN 1092-1; with roll-formed stem screw thread and burnished shaft, coupled stem. Multiplewall liquid contacted bellows made of stainless steel, with anti torque device, tested for 10.000 cycles, metal back seat, safety stuffing box packing made of pure graphite, grooved bonnet gasket made of stainless steel 1.4571 with a coating of pure graphite on both sides, housed in a tongue and grooved flange.

The valve works as a spring check valve when it is fully open; when it is closed it works as a standard bellows sealed globe valve.

**Carbon steel:** Body made of cast material 1.0619, seat hardfaced with stainless steel 1.4370, disc made of s.s. 1.4571, sealing surface hardfaced with stellite 6.

**Stainless steel:** Body made of cast material 1.4408, seat hardfaced with stellite 21, disc made of s.s. 1.4571, sealing surface hardfaced with stellite 6.

**Low temperature steel:** Body made of cast material 1.1138, seat hardfaced with stainless steel 1.4370, disc made of s.s. 1.4571, sealing surface hardfaced with stellite 6.

# STOP-CHECK-VALVE, FLANGED ENDS

## 19.1-S-FL

DN 65 - 200			
PN 40			
	C.S.	S.S.	Low temp.
Tmin.	-10°C	-200°C	-50°C
Tmax.	+400°C	+400°C	+300°C

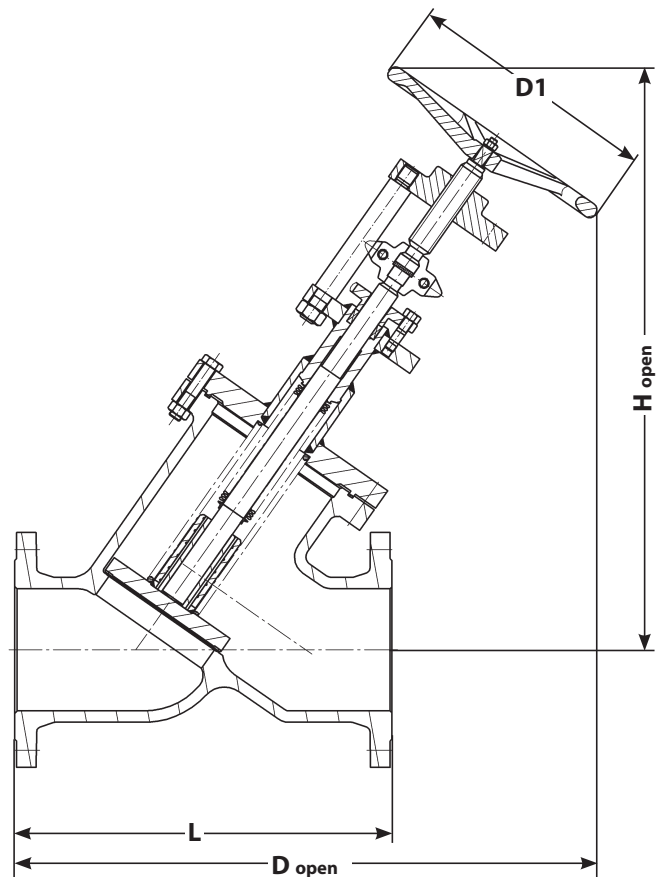
Permissible working pressure acc. EN 1092 - Part 1
Max. differential pressure acc. EN 13709
Terms of delivery DIN 3230/EN 12266-1
Face to face dimension acc. EN 558-1

### Available on request :

Special corrosion resistant materials for:  
 Complete valve - Bellows - Trim  
 Soft sealing and regulating disc  
 Heating jacket

Detailed information and more alternatives are given in the appendix.

Component	Material		
	C.S.	S.S.	Low temp.
	19.1-S-FL	19.1-S-FL-A4	19.1-S-FL-TT
Body	1.0619	1.4408	1.1138
Body seat	1.4370	Stellite 21	1.4370
Bonnet	1.0460	1.4571	1.0566
Disc	1.4571/1.0460	1.4571	1.4571
Disc surface	Stellite 6/1.4009	Stellite 6	Stellite 6
Bellows	1.4571	1.4571	1.4571
Bonnet gasket		1.4571/graphite	
Bolts	A2/70	A2/70	A2/70
Nuts	A2/70	A2/70	A2/70
Gland packing		Pure graphite	
Gland	1.0420	1.4408	1.4408
Stem-upper part	1.4122	1.4122	1.4122
Stem-lower part	1.4571	1.4571	1.4571
Spring	1.4310/1.4571	1.4571	1.4310/1.4571
Handwheel	0.6020	0.6020	0.6020



DN	L [mm]	D open [mm]	H open [mm]	D1 [mm]	G [kg]
65	290	430	455	200	30
80	310	520	610	250	48
100	350	565	625	300	62
125	400	580	645	300	94
150	480	915	965	400	158
200	600	960	980	400	263

Stop-check-valve, straight type, with flanges acc. EN 1092-1; with roll-formed stem screw thread and burnished shaft, coupled stem. Multiplewall liquid contacted bellows made of stainless steel, with anti torque device, tested for 10.000 cycles, metal back seat, safety stuffing box packing made of pure graphite, grooved bonnet gasket made of stainless steel 1.4571 with a coating of pure graphite on both sides, housed in a tongue and grooved flange.

Bonnet design DN 65 - 125 with yoke; from DN 150 and above with column and screwed flange.

The valve works as a spring check valve when it is fully open; when it is closed it works as a standard bellows sealed globe valve.

**Carbon steel:** Body made of cast material 1.0619, seat hardfaced with stainless steel 1.4370, disc made of s.s. 1.4571, sealing surface hardfaced with stellite 6 up to DN 100; above made of 1.0460, hardfaced with 1.4009.

**Stainless steel:** Body made of cast material 1.4408, seat hardfaced with stellite 21, disc made of s.s. 1.4571, sealing surface hardfaced with stellite 6.

**Low temperature steel:** Body made of cast material 1.1138, seat hardfaced with stainless steel 1.4370, disc made of s.s. 1.4571, sealing surface hardfaced with stellite 6.

DN 15 - 50			
PN 40			
	C.S.	S.S.	Low temp.
Tmin.	-10°C	-200°C	-50°C
Tmax.	+400°C	+400°C	+300°C

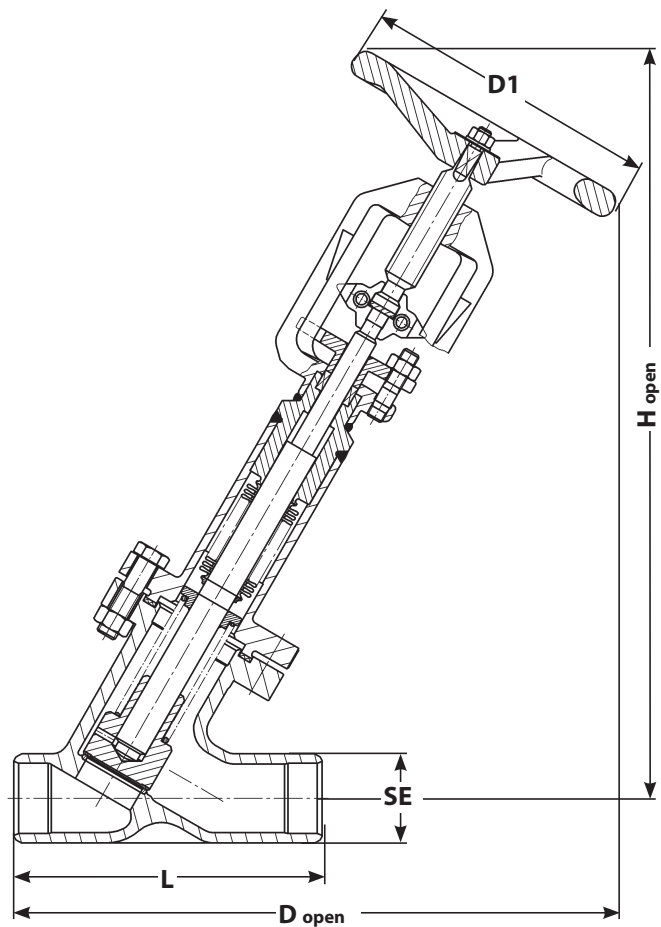
Permissible working pressure acc. EN 1092 - Part 1
Max. differential pressure acc. EN 13709
Terms of delivery DIN 3230/EN 12266-1
Face to face dimension acc. EN 12982

**Available on request :**

Special corrosion resistant materials for:  
 Complete valve - Bellows - Trim  
 Soft sealing and regulating disc  
 Heating jacket

**Detailed information and more alternatives are given in the appendix.**

Component	Material		
	C.S.	S.S.	Low temp.
	19.1-S-SE	19.1-S-SE-A4	19.1-S-SE-TT
Body	1.0619/1.0460	1.4408/1.4571	1.1138/1.0488
Body seat	1.4370	Stellite 21	1.4370
Bonnet	1.0460	1.4571	1.0566
Disc	1.4571	1.4571	1.4571
Disc surface	Stellite 6	Stellite 6	Stellite 6
Bellows	1.4571	1.4571	1.4571
Bonnet gasket		1.4571/graphite	
Bolts	A2/70	A2/70	A2/70
Nuts	A2/70	A2/70	A2/70
Gland packing		Pure graphite	
Gland	1.0420	1.4408	1.4408
Stem-upper part	1.4122	1.4122	1.4122
Stem-lower part	1.4571	1.4571	1.4571
Spring	1.4571	1.4571	1.4571
Handwheel	0.6020	0.6020	0.6020



DN	SE [mm]	L [mm]	D <sub>open</sub> [mm]	H <sub>open</sub> [mm]	D1 [mm]	G [kg]
15	21,3*2,0	130	285	355	150	10
20	26,9*2,3	130	285	355	150	11
25	33,7*2,6	130	285	355	150	11
32	42,4*2,6	160	355	455	175	14
40	48,3*2,6	180	360	455	175	15
50	60,3*3,2	210	415	500	200	17

Stop-check-valve, y-type, with buttweld ends acc. EN 12627; with roll-formed stem screw thread and burnished shaft, coupled stem. Multiplewall liquid contacted bellows made of stainless steel, with anti torque device, tested for 10.000 cycles, metal back seat, safety stuffing box packing made of pure graphite, grooved bonnet gasket made of stainless steel 1.4571 with a coating of pure graphite on both sides, housed in a tongue and grooved flange.

The valve works as a spring check valve when it is fully open; when it is closed it works as a standard bellows sealed globe valve.

**Carbon steel:** Body made of cast/forged material 1.0619/1.0460, seat hardfaced with stainless steel 1.4370, disc made of s.s. 1.4571, sealing surface hardfaced with Stellite 6.

**Stainless steel:** Body made of cast/forged material 1.4408/1.4571, seat hardfaced with stellite 21, disc made of s.s. 1.4571, sealing surface hardfaced with stellite 6.

**Low temperature steel:** Body made of cast/forged material 1.1138/1.0488, seat hardfaced with stainless steel 1.4370, disc made of s.s. 1.4571, sealing surface hardfaced with stellite 6.



# STOP-CHECK-VALVE, BUTTWELD ENDS

## 19.1-S-SE

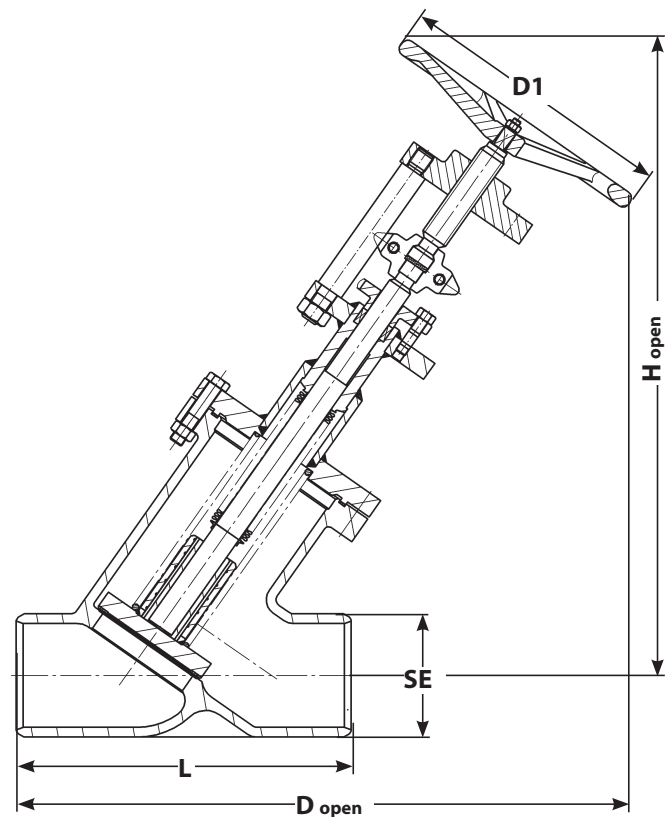
DN 65 - 200			
PN 40			
	C.S.	S.S.	Low temp.
Tmin.	-10°C	-200°C	-50°C
Tmax.	+400°C	+400°C	+300°C

Permissible working pressure acc. EN 1092 - Part 1
Max. differential pressure acc. EN 13709
Terms of delivery DIN 3230/EN 12266-1
Face to face dimension acc. EN 12982

### Available on request :

Special corrosion resistant materials for:  
 Complete valve - Bellows - Trim  
 Soft sealing and regulating disc  
 Heating jacket

Detailed information and more alternatives are given in the appendix.



Component	Material		
	C.S.	S.S.	Low temp.
	19.1-S-SE	19.1-S-SE-A4	19.1-S-SE-TT
Body	1.0619	1.4408	1.1138
Body seat	1.4370	Stellite 21	1.4370
Bonnet	1.0460	1.4571	1.0566
Disc	1.4571/1.0460	1.4571	1.4571
Disc surface	Stellite 6/1.4009	Stellite 6	Stellite 6
Bellows	1.4571	1.4571	1.4571
Bonnet gasket		1.4571/graphite	
Bolts	A2/70	A2/70	A2/70
Nuts	A2/70	A2/70	A2/70
Gland packing		Pure graphite	
Gland	1.0420	1.4408	1.4408
Stem-upper part	1.4122	1.4122	1.4122
Stem-lower part	1.4571	1.4571	1.4571
Spring	1.4310/1.4571	1.4571	1.4310/1.4571
Handwheel	0.6020	0.6020	0.6020

DN	SE [mm]	L [mm]	D <sub>open</sub> [mm]	H <sub>open</sub> [mm]	D1 [mm]	G [kg]
65	76,1*3,6	290	430	455	200	26
80	88,9*4,0	310	520	610	250	38
100	114,3*5,0	350	565	625	300	46
125	139,7*4,5	400	580	645	300	80
150	168,3*5,6	480	920	970	400	144
200	219,1*7,1	600	960	980	400	223

Stop-check-valve, y-type, with butt-weld ends acc. EN 12627; with roll-formed stem screw thread and burnished shaft, coupled stem. Multiple-wall liquid contacted bellows made of stainless steel, with anti torque device, tested for 10.000 cycles, metal back seat, safety stuffing box packing made of pure graphite, grooved bonnet gasket made of stainless steel 1.4571 with a coating of pure graphite on both sides, housed in a tongue and grooved flange. Bonnet design DN 65 - 125 with yoke; from DN 150 and above with column and screwed flange.

The valve works as a spring check valve when it is fully open; when it is closed it works as a standard bellows sealed globe valve.

**Carbon steel:** Body made of cast material 1.0619, seat hardfaced with stainless steel 1.4370, disc made of s.s. 1.4571, sealing surface hardfaced with stellite 6 up to DN 100; above made of 1.0460, hardfaced with 1.4009.

**Stainless steel:** Body made of cast material 1.4408, seat hardfaced with stellite 21, disc made of s.s. 1.4571, sealing surface hardfaced with stellite 6.

**Low temperature steel:** Body made of cast material 1.1138, seat hardfaced with stainless steel 1.4370, disc made of s.s. 1.4571, sealing surface hardfaced with stellite 6.