

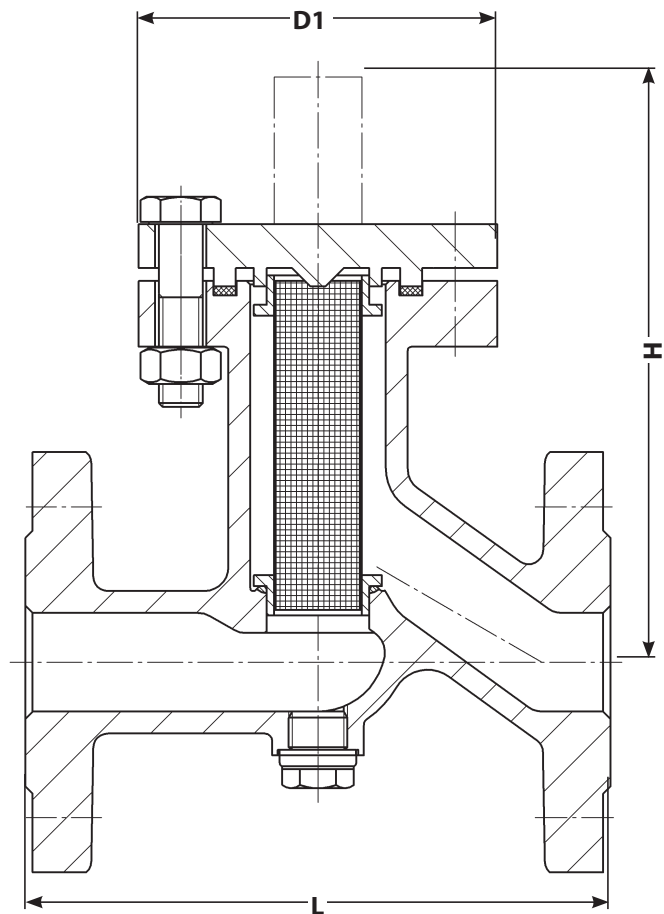
DN 15 - 50			
PN 40			
	C.S.	S.S.	Low temp.
Tmin.	-10°C	-200°C	-50°C
Tmax.	+400°C	+400°C	+300°C

Permissible working pressure acc. EN 1092 - Part 1
Terms of delivery DIN 3230/EN 12266-1
Face to face dimension acc. EN 558-1

Available on request :

Special corrosion resistant materials for:
 Complete strainer - Screen
 Fine screen of different mesh sizes
 Heating jacket

Detailed information and more alternatives are given in the appendix.



Component	Material		
	C.S.	S.S.	Low temp.
	<i>18.3-G-FL</i>	<i>18.3-G-FL-A4</i>	<i>18.3-G-FL-TT</i>
Body	1.0619	1.4408	1.1138
Bonnet flange	1.0460	1.4571	1.0566
Bonnet gasket		1.4571/graphite	
Bolts	A2/70	A2/70	A2/70
Nuts	A2/70	A2/70	A2/70
Screen	1.4571	1.4571	1.4571
Drain plug	A4/70	A4/70	A4/70

DN	L [mm]	H [mm]	D1 [mm]	G [kg]
15	130	190	98	4
20	150	190	98	6
25	160	200	98	6
32	180	230	113	10
40	200	235	113	12
50	230	275	128	15

Strainer, cylinder type screen, straight type with flanges acc. EN 1092-1. With grooved bonnet gasket made of stainless steel 1.4571 with a coating of pure graphite on both sides, housed in a tongue and grooved flange.

Screen made of stainless steel 1.4571, mesh size 2 mm, from DN 150 and above with pinhole sheet for reinforced screen. Body with drain plug M16 x 1,5. Available with fine screen of different mesh sizes.

Carbon steel: Body made of cast material 1.0619; screen made of stainless steel 1.4571, screen ring and pinhole sheet made of St 35.8.

Stainless steel: Body made of cast material 1.4408; screen, screen ring and pinhole sheet made of 1.4571.

Low temperature steel: Body made of cast material 1.1138, screen, screen ring and pinhole sheet made of 1.4571.

STRAINER, CYLINDER TYPE SCREEN, FLANGED ENDS

18.3-G-FL

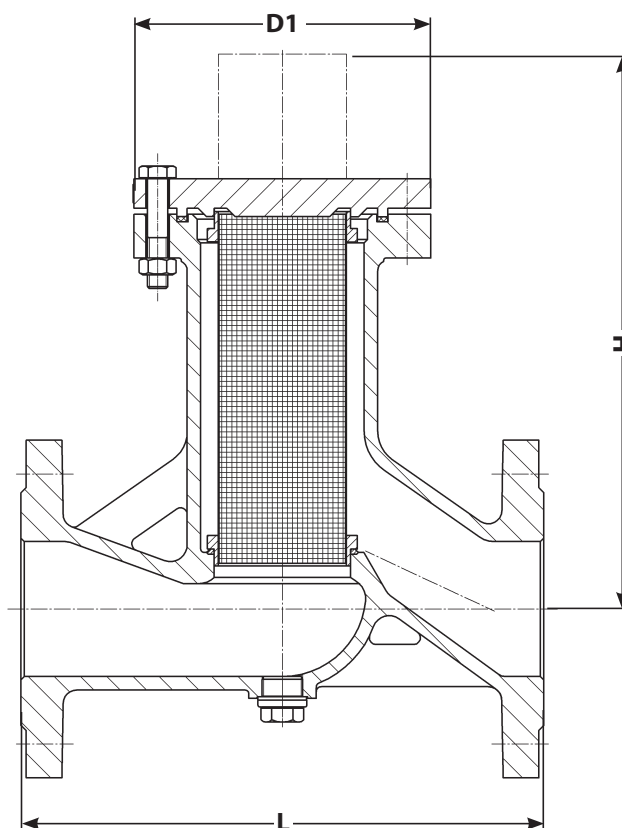
DN 65 - 400			
PN 40			
	C.S.	S.S.	Low temp.
Tmin.	-10°C	-200°C	-50°C
Tmax.	+400°C	+400°C	+300°C

Permissible working pressure acc. EN 1092 - Part 1
Terms of delivery DIN 3230/EN 12266-1
Face to face dimension acc. EN 558-1

Available on request :

Special corrosion resistant materials for:
 Complete strainer - Screen
 Fine screen of different mesh sizes
 Heating jacket

Detailed information and more alternatives are given in the appendix.



Component	Material		
	C.S.	S.S.	Low temp.
	18.3-G-FL	18.3-G-FL-A4	18.3-G-FL-TT
Body	1.0619	1.4408	1.1138
Bonnet flange	1.0425	1.4571	1.0566
Bonnet gasket		1.4571/graphite	
Bolts	A2/70	A2/70	A2/70
Nuts	A2/70	A2/70	A2/70
Screen	1.4571	1.4571	1.4571
Drain plug	A4/70	A4/70	A4/70

DN	L [mm]	H [mm]	D1 [mm]	G [kg]
65	290	315	143	22
80	310	445	176	35
100	350	445	210	52
125	400	455	250	64
150	480	720	308	113
200	600	685	365	160
250	730	585	435	210
300	850	640	515	320
350	980	790	584	446
400	1100	895	648	614

Strainer, cylinder type screen, straight type with flanges acc. EN 1092-1. With grooved bonnet gasket made of stainless steel 1.4571 with a coating of pure graphite on both sides, housed in a tongue and grooved flange.

Screen made of stainless steel 1.4571, mesh size 2 mm, from DN 150 and above with pinhole sheet for reinforced screen. Body with drain plug up to DN 65 M16 x 1,5; from DN 80 and above M24 x 1,5. Available with fine screen of different mesh sizes.

Carbon steel: Body made of cast material 1.0619; screen made of stainless steel 1.4571, screen ring and pinhole sheet made of St 35.8.

Stainless steel: Body made of cast material 1.4408; screen, screen ring and pinhole sheet made of 1.4571.

Low temperature steel: Body made of cast material 1.1138, screen, screen ring and pinhole sheet made of 1.4571.

STRAINER, CYLINDER TYPE SCREEN, BUTTWELD ENDS 18.3-G-SE

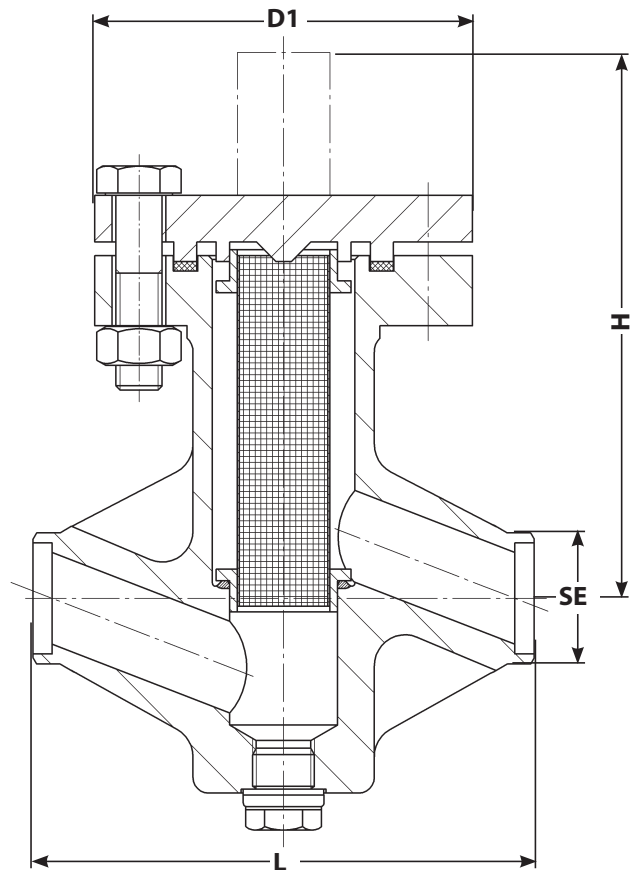
DN 15 - 50			
PN 40			
	C.S.	S.S.	Low temp.
Tmin.	-10°C	-200°C	-50°C
Tmax.	+400°C	+400°C	+300°C

Permissible working pressure acc. EN 1092 - Part 1
Terms of delivery DIN 3230/EN 12266-1
Face to face dimension acc. EN 12982

Available on request :

Special corrosion resistant materials for:
 Complete strainer - Screen
 Fine screen of different mesh sizes
 Heating jacket

Detailed information and more alternatives are given in the appendix.



Component	Material		
	C.S.	S.S.	Low temp.
	<i>18.3-G-SE</i>	<i>18.3-G-SE-A4</i>	<i>18.3-G-SE-TT</i>
Body	1.0619/1.0460	1.4408/1.4571	1.1138/1.0488
Bonnet flange	1.0460	1.4571	1.0566
Bonnet gasket		1.4571/graphite	
Bolts	A2/70	A2/70	A2/70
Nuts	A2/70	A2/70	A2/70
Screen	1.4571	1.4571	1.4571
Drain plug	A4/70	A4/70	A4/70

DN	SE [mm]	L [mm]	H [mm]	D1 [mm]	G [kg]
15	21,3* 2,0	130	185	98	4
20	26,9* 2,3	130	185	98	4
25	33,7* 2,6	130	185	98	4
32	42,4* 2,6	160	230	113	6
40	48,3* 2,6	180	235	113	8
50	60,3* 3,2	210	275	128	10

Strainer, cylinder type screen, straight type with butt-welding ends acc. EN 12627. With grooved bonnet gasket made of stainless steel 1.4571 with a coating of pure graphite on both sides, housed in a tongue and grooved flange.

Screen made of stainless steel 1.4571, mesh size 2 mm, from DN 150 and above with pinhole sheet for reinforced screen. Body with drain plug M16 x 1,5. Available with fine screen of different mesh sizes.

Carbon steel: Body made of cast/forged material 1.0619/1.0460; screen made of stainless steel 1.4571, screen ring and pinhole sheet made of St 35.8.

Stainless steel: Body made of cast/forged material 1.4408/1.4571; screen, screen ring and pinhole sheet made of 1.4571.

Low temperature steel: Body made of cast/forged material 1.1138/1.0488, screen, screen ring and pinhole sheet made of 1.4571.

STRAINER, CYLINDER TYPE SCREEN, BUTTWELD ENDS 18.3-G-SE

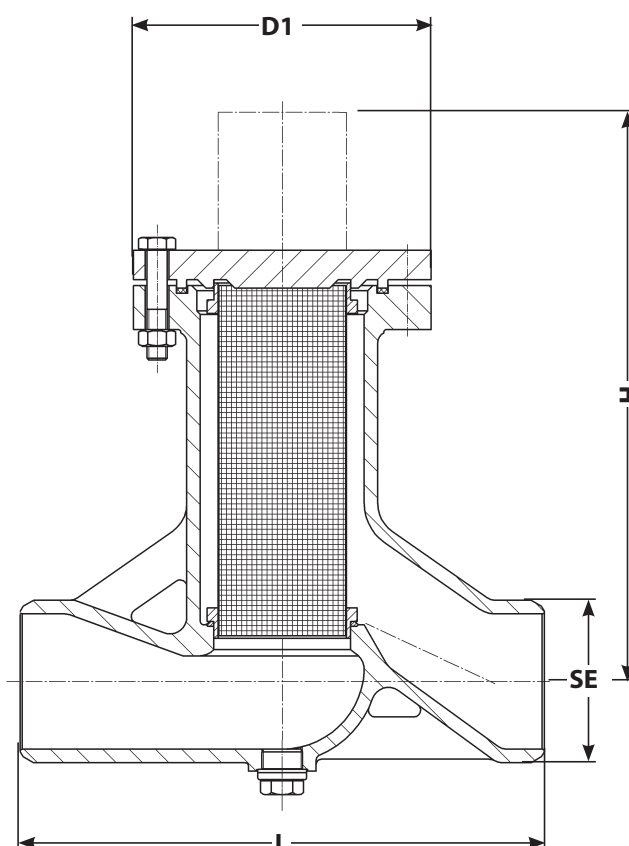
DN 65 - 400			
PN 40			
	C.S.	S.S.	Low temp.
Tmin.	-10°C	-200°C	-50°C
Tmax.	+400°C	+400°C	+300°C

Permissible working pressure acc. EN 1092 - Part 1
Terms of delivery DIN 3230/EN 12266-1
Face to face dimension acc. EN 12982

Available on request :

- Special corrosion resistant materials for:
- Complete strainer - Screen
- Fine screen of different mesh sizes
- Heating jacket

Detailed information and more alternatives are given in the appendix.



Component	Material		
	C.S.	S.S.	Low temp.
	<i>18.3-G-SE</i>	<i>18.3-G-SE-A4</i>	<i>18.3-G-SE-TT</i>
Body	1.0619	1.4408	1.1138
Bonnet flange	1.0425	1.4571	1.0566
Bonnet gasket		1.4571/graphite	
Bolts	A2/70	A2/70	A2/70
Nuts	A2/70	A2/70	A2/70
Screen	1.4571	1.4571	1.4571
Drain plug	A4/70	A4/70	A4/70

DN	SE [mm]	L [mm]	H [mm]	D1 [mm]	G [kg]
65	76,1*	3,6	290	315	143
80	88,9*	4,0	310	445	176
100	114,3*	5,0	350	445	210
125	139,7*	4,5	400	455	250
150	168,3*	5,6	480	720	308
200	219,1*	7,1	600	685	365
250	273,0*	8,0	730	585	435
300	323,9*	8,0	850	640	515
350	355,6*	8,8	980	790	584
400	406,4*	11,0	1100	885	648

Strainer, cylinder type screen, straight type with butt-welding ends acc. EN 12627. With grooved bonnet gasket made of stainless steel 1.4571 with a coating of pure graphite on both sides, housed in a tongue and grooved flange.

Screen made of stainless steel 1.4571, mesh size 2 mm, from DN 150 and above with pinhole sheet for reinforced screen. Body with drain plug up to DN 65 M16 x 1,5; from DN 80 and above M24 x 1,5. Available with fine screen of different mesh sizes.

Carbon steel: Body made of cast material 1.0619; screen made of stainless steel 1.4571, screen ring and pinhole sheet made of St 35.8.

Stainless steel: Body made of cast material 1.4408; screen, screen ring and pinhole sheet made of 1.4571.

Low temperature steel: Body made of cast material 1.1138, screen, screen ring and pinhole sheet made of 1.4571.

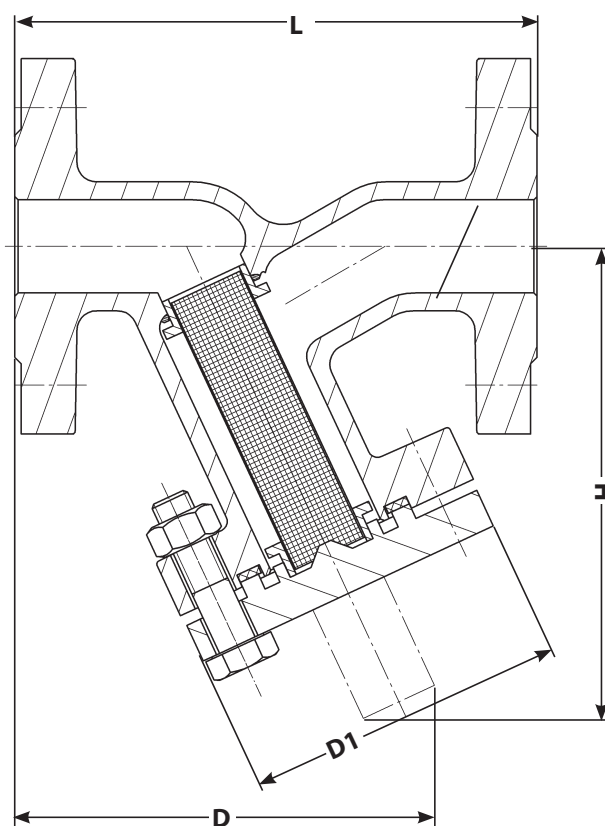
DN 15 - 50			
PN 40			
	C.S.	S.S.	Low temp.
Tmin.	-10°C	-200°C	-50°C
Tmax.	+400°C	+400°C	+300°C

Permissible working pressure acc. EN 1092 - Part 1
Terms of delivery DIN 3230/EN 12266-1
Face to face dimension acc. EN 558-1

Available on request :

Special corrosion resistant materials for:
 Complete strainer - Screen
 Fine screen of different mesh sizes
 Heating jacket

Detailed information and more alternatives are given in the appendix.



Component	Material		
	C.S.	S.S.	Low temp.
	<i>18.3-S-FL</i>	<i>18.3-S-FL-A4</i>	<i>18.3-S-FL-TT</i>
Body	1.0619	1.4408	1.1138
Bonnet flange	1.0460	1.4571	1.0566
Bonnet gasket		1.4571/graphite	
Bolts	A2/70	A2/70	A2/70
Nuts	A2/70	A2/70	A2/70
Screen	1.4571	1.4571	1.4571

DN	L [mm]	D [mm]	H [mm]	D1 [mm]	G [kg]
15	130	145	180	98	4
20	150	140	180	98	6
25	160	150	185	98	6
32	180	180	205	113	10
40	200	190	205	113	12
50	230	240	250	128	15

Strainer, cylinder type screen, y-type with flanges acc. EN 1092-1. With grooved bonnet gasket made of stainless steel 1.4571 with a coating of pure graphite on both sides, housed in a tongue and grooved flange.

Screen made of stainless steel 1.4571, mesh size 2 mm, from DN 150 and above with pinhole sheet for reinforced screen. Available with fine screen of different mesh sizes.

Carbon steel: Body made of cast material 1.0619; screen made of stainless steel 1.4571, screen ring and pinhole sheet made of St 35.8.

Stainless steel: Body made of cast material 1.4408; screen, screen ring and pinhole sheet made of 1.4571.

Low temperature steel: Body made of cast material 1.1138, screen, screen ring and pinhole sheet made of 1.4571.

STRAINER, CYLINDER TYPE SCREEN, FLANGED ENDS

18.3-S-FL

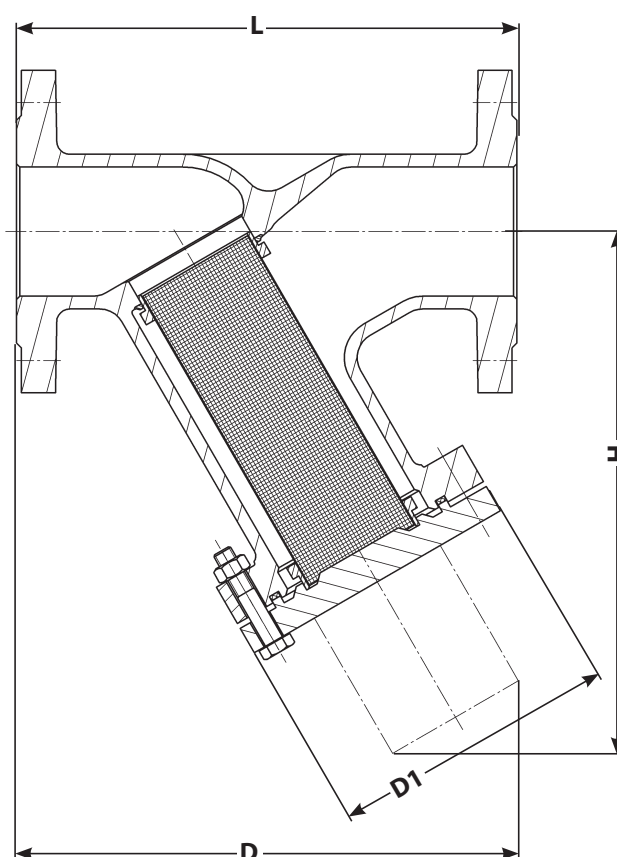
DN 65 - 400			
PN 40			
	C.S.	S.S.	Low temp.
Tmin.	-10°C	-200°C	-50°C
Tmax.	+400°C	+400°C	+300°C

Permissible working pressure acc. EN 1092 - Part 1
Terms of delivery DIN 3230/EN 12266-1
Face to face dimension acc. EN 558-1

Available on request :

Special corrosion resistant materials for:
 Complete strainer - Screen
 Fine screen of different mesh sizes
 Heating jacket

Detailed information and more alternatives are given in the appendix.



Component	Material		
	C.S.	S.S.	Low temp.
	18.3-S-FL	18.3-S-FL-A4	18.3-S-FL-TT
Body	1.0619	1.4408	1.1138
Bonnet flange	1.0425	1.4571	1.0566
Bonnet gasket		1.4571/graphite	
Bolts	A2/70	A2/70	A2/70
Nuts	A2/70	A2/70	A2/70
Screen	1.4571	1.4571	1.4571

NPS	L [mm]	D [mm]	H [mm]	D1 [mm]	G [kg]
65	290	290	280	143	22
80	310	355	405	176	35
100	350	390	415	210	52
125	400	415	445	250	64
150	480	640	640	308	113
200	600	705	670	365	160
250	730	1065	910	435	210
300	850	1115	940	494	320
350	980	1175	965	550	446
400	1100	1220	1000	595	614

Strainer, cylinder type screen, y-type with flanges acc. EN 1092-1. With grooved bonnet gasket made of stainless steel 1.4571 with a coating of pure graphite on both sides, housed in a tongue and grooved flange.

Screen made of stainless steel 1.4571, mesh size 2 mm, from DN 150 and above with pinhole sheet for reinforced screen. Available with fine screen of different mesh sizes.

Carbon steel: Body made of cast material 1.0619; screen made of stainless steel 1.4571, screen ring and pinhole sheet made of St 35.8.

Stainless steel: Body made of cast material 1.4408; screen, screen ring and pinhole sheet made of 1.4571.

Low temperature steel: Body made of cast material 1.1138, screen, screen ring and pinhole sheet made of 1.4571.

STRAINER, CYLINDER TYPE SCREEN, BUTTWELD ENDS 18.3-S-SE

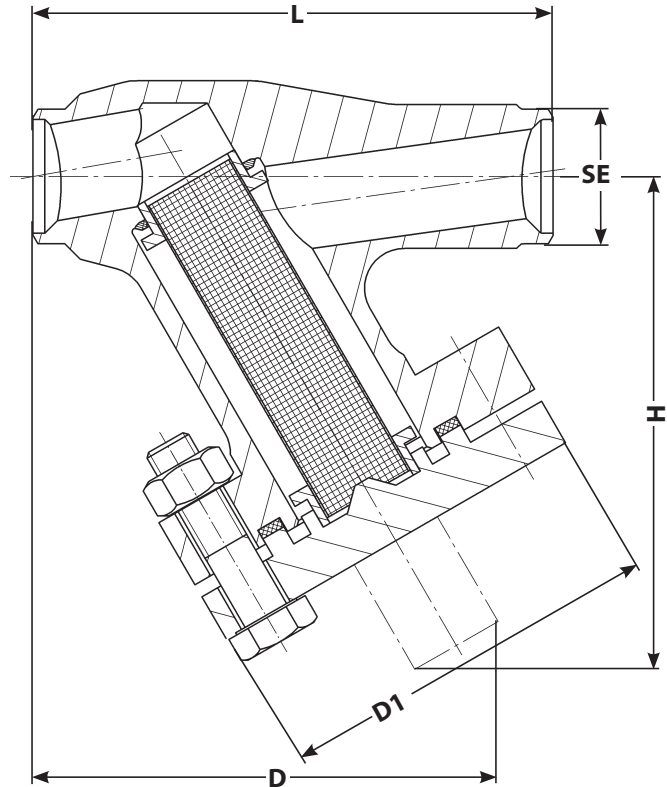
DN 15 - 50			
PN 40			
	C.S.	S.S.	Low temp.
Tmin.	-10°C	-200°C	-50°C
Tmax.	+400°C	+400°C	+300°C

Permissible working pressure acc. EN 1092 - Part 1
Terms of delivery DIN 3230/EN 12266-1
Face to face dimension acc. EN 12982

Available on request :

- Special corrosion resistant materials for:
- Complete strainer - Screen
- Fine screen of different mesh sizes
- Heating jacket

Detailed information and more alternatives are given in the appendix.



Component	Material		
	C.S.	S.S.	Low temp.
	<i>18.3-S-SE</i>	<i>18.3-S-SE-A4</i>	<i>18.3-S-SE-TT</i>
Body	1.0619/1.0460	1.4408/1.4571	1.1138/1.0488
Bonnet flange	1.0460	1.4571/1.4571	1.0566
Bonnet gasket		1.4571/graphite	
Bolts	A2/70	A2/70	A2/70
Nuts	A2/70	A2/70	A2/70
Screen	1.4571	1.4571	1.4571

DN	SE [mm]	L [mm]	D [mm]	H [mm]	D1 [mm]	G [kg]
15	21,3* 2,0	130	145	170	98	4
20	26,9* 2,3	130	145	170	98	4
25	33,7* 2,6	130	145	170	98	4
32	42,4* 2,6	160	185	205	113	6
40	48,3* 2,6	180	180	205	113	8
50	60,3* 3,2	210	230	250	128	10

Strainer, cylinder type screen, y-type with butt welding ends acc. EN 12627. With grooved bonnet gasket made of stainless steel 1.4571 with a coating of pure graphite on both sides, housed in a tongue and grooved flange.

Screen made of stainless steel 1.4571, mesh size 2 mm, from DN 150 and above with pinhole sheet for reinforced screen. Available with fine screen of different mesh sizes.

Carbon steel: Body made of cast/forged material 1.0619/1.0460; screen made of stainless steel 1.4571, screen ring and pinhole sheet made of St 35.8.

Stainless steel: Body made of cast/forged material 1.4408/1.4571; screen, screen ring and pinhole sheet made of 1.4571.

Low temperature steel: Body made of cast/forged material 1.1138/1.0488, screen, screen ring and pinhole sheet made of 1.4571.

STRAINER, CYLINDER TYPE SCREEN, BUTTWELD ENDS 18.3-S-SE

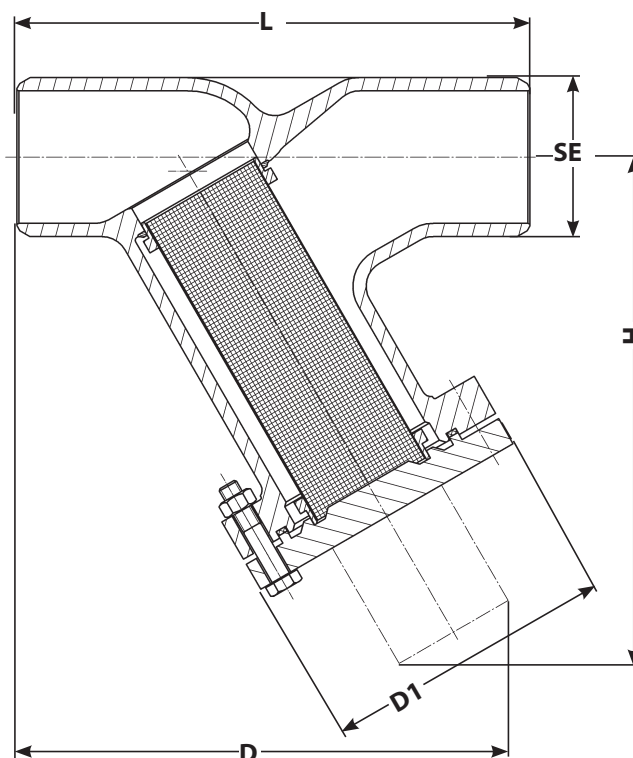
DN 65 - 400			
PN 40			
	C.S.	S.S.	Low temp.
Tmin.	-10°C	-200°C	-50°C
Tmax.	+400°C	+400°C	+300°C

Permissible working pressure acc. EN 1092 - Part 1
Terms of delivery DIN 3230/EN 12266-1
Face to face dimension acc. EN 12982

Available on request :

- Special corrosion resistant materials for:
- Complete strainer - Screen
- Fine screen of different mesh sizes
- Heating jacket

Detailed information and more alternatives are given in the appendix.



Component	Material		
	C.S.	S.S.	Low temp.
	18.3-S-SE	18.3-S-SE-A4	18.3-S-SE-TT
Body	1.0619	1.4408	1.1138
Bonnet flange	1.0425	1.4571	1.0566
Bonnet gasket		1.4571/graphite	
Bolts	A2/70	A2/70	A2/70
Nuts	A2/70	A2/70	A2/70
Screen	1.4571	1.4571	1.4571

DN	SE [mm]	L [mm]	D [mm]	H [mm]	D1 [mm]	G [kg]
65	76,1*	3,6	290	290	280	143
80	88,9*	4,0	310	355	405	176
100	114,3*	5,0	350	390	415	210
125	139,7*	4,5	400	415	445	250
150	168,3*	5,6	480	640	640	308
200	219,1*	7,1	600	705	670	365
250	273,0*	8,0	730	1065	910	435
300	323,9*	8,0	850	1115	940	494
350	355,6*	8,8	980	1175	965	550
400	406,4*	11,0	1100	1220	1000	595

Strainer, cylinder type screen, y-type with buttwelding ends acc. EN 12627. With grooved bonnet gasket made of stainless steel 1.4571 with a coating of pure graphite on both sides, housed in a tongue and grooved flange.

Screen made of stainless steel 1.4571, mesh size 2 mm, from DN 150 and above with pinhole sheet for reinforced screen. Available with fine screen of different mesh sizes.

Carbon steel: Body made of cast material 1.0619; screen made of stainless steel 1.4571, screen ring and pinhole sheet made of St 35.8.

Stainless steel: Body made of cast material 1.4408; screen, screen ring and pinhole sheet made of 1.4571.

Low temperature steel: Body made of cast material 1.1138, screen, screen ring and pinhole sheet made of 1.4571.