

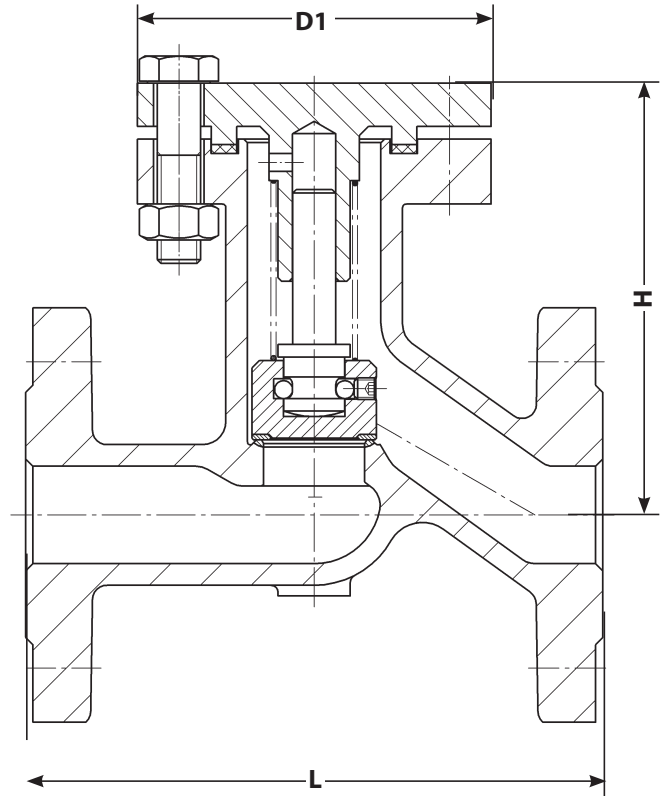
<b>DN 15 - 50</b>			
<b>PN 40</b>			
	<b>C.S.</b>	<b>S.S.</b>	<b>Low temp.</b>
<b>Tmin.</b>	<b>-10°C</b>	<b>-200°C</b>	<b>-50°C</b>
<b>Tmax.</b>	<b>+400°C</b>	<b>+400°C</b>	<b>+300°C</b>

<b>Permissible working pressure acc. EN 1092 - Part 1</b>
<b>Terms of delivery DIN 3230/EN 12266-1</b>
<b>Face to face dimension acc. EN 558-1</b>

**Available on request:**

- Special corrosion resistant materials for:
- Complete valve - Trim
- Soft sealing disc
- Heating jacket

**Detailed information and more alternatives are given in the appendix.**



Component	Material		
	C.S.	S.S.	Low temp.
	14.1-G-FL	14.1-G-FL-A4	14.1-G-FL-TT
Body	1.0619	1.4408	1.1138
Body seat	1.4370	Stellite 21	1.4370
Bonnet	1.0460	1.4571	1.0566
Disc	1.4571	1.4571	1.4571
Disc surface	Stellite 6	Stellite 6	Stellite 6
Bonnet gasket		1.4571/graphite	
Bolts	A2/70	A2/70	A2/70
Nuts	A2/70	A2/70	A2/70
Spring	1.4571	1.4571	1.4571
Stem	1.4571	1.4571	1.4571

DN	L [mm]	H [mm]	D1 [mm]	G [kg]
15	130	110	98	4
20	150	110	98	6
25	160	120	98	6
32	180	140	113	10
40	200	145	113	12
50	230	165	128	15

Non return valve, straight type with flanges acc. EN 1092-1; spring loaded, opening pressure around 0,2 bar.

With grooved bonnet gasket made of stainless steel 1.4571 with a coating of pure graphite on both sides, housed in a tongue and grooved flange.

**Carbon steel:** Body made of cast material 1.0619, seat hardfaced with stainless steel 1.4370, disc made of stainless steel 1.4571, sealing surface hardfaced with stellite 6.

**Stainless steel:** Body made of cast material 1.4408, seat hardfaced with stellite 21, disc made of stainless steel 1.4571, sealing surface hardfaced with stellite 6.

**Low temperature:** Body made of cast material 1.1138, seat hardfaced with 1.4370, disc made of stainless steel 1.4571, sealing surface hardfaced with stellite 6.

# NON RETURN VALVE, FLANGED ENDS

## 14.1-G-FL

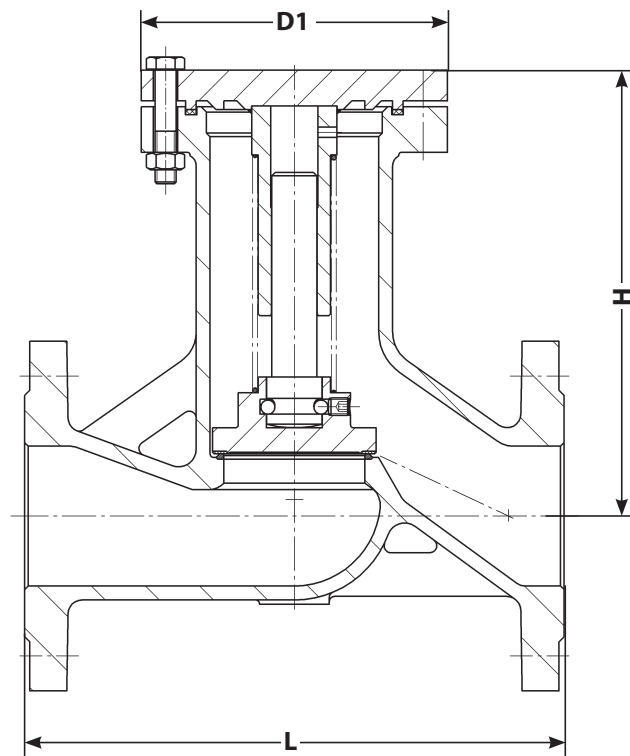
<b>DN 65 - 400</b>			
<b>PN 40</b>			
	<b>C.S.</b>	<b>S.S.</b>	<b>Low temp.</b>
<b>Tmin.</b>	<b>-10°C</b>	<b>-200°C</b>	<b>-50°C</b>
<b>Tmax.</b>	<b>+400°C</b>	<b>+400°C</b>	<b>+300°C</b>

<b>Permissible working pressure acc. EN 1092 - Part 1</b>
<b>Terms of delivery DIN 3230/EN 12266-1</b>
<b>Face to face dimension acc. EN 558-1</b>

### Available on request:

- Special corrosion resistant materials for:
- Complete valve - Trim
- Soft sealing disc
- Heating jacket

**Detailed information and more alternatives are given in the appendix.**



Component	Material		
	C.S.	S.S.	Low temp.
	<i>14.1-G-FL</i>	<i>14.1-G-FL-A4</i>	<i>14.1-G-FL-TT</i>
Body	1.0619	1.4408	1.1138
Body seat	1.4370	Stellite 21	1.4370
Bonnet	1.0425	1.4571	1.0566
Disc	1.4571/1.0460	1.4571	1.4571
Disc surface	St.6/1.4009	Stellite 6	Stellite 6
Gasket	1.4571/graphite		
Bolts	A2/70	A2/70	A2/70
Nuts	A2/70	A2/70	A2/70
Spring	1.4310/1.4571	1.4571	1.4310/1.4571
Stem	1.4571	1.4571	1.4571

DN	L [mm]	H [mm]	D1 [mm]	G [kg]
65	290	190	143	22
80	310	255	176	35
100	350	260	210	52
125	400	270	250	64
150	480	415	308	113
200	600	380	365	160
250	730	530	435	210
300	850	530	515	320
350	980	530	584	446
400	1100	545	648	614

Non return valve, straight type with flanges acc. EN 1092-1; spring loaded, opening pressure around 0,2 bar.

With grooved bonnet gasket made of stainless steel 1.4571 with a coating of pure graphite on both sides, housed in a tongue and grooved flange.

**Carbon steel:** Body made of cast material 1.0619, seat hardfaced with stainless steel 1.4370, disc made of stainless steel 1.4571, hardfaced with stellite 6 up to DN 100; above made of 1.0460, hardfaced with 1.4009.

**Stainless steel:** Body made of cast material 1.4408, seat hardfaced with stellite 21, disc made of stainless steel 1.4571, sealing surface hardfaced with stellite 6.

**Low temperature:** Body made of cast material 1.1138, seat hardfaced with 1.4370, disc made of stainless steel 1.4571, sealing surface hardfaced with stellite 6.

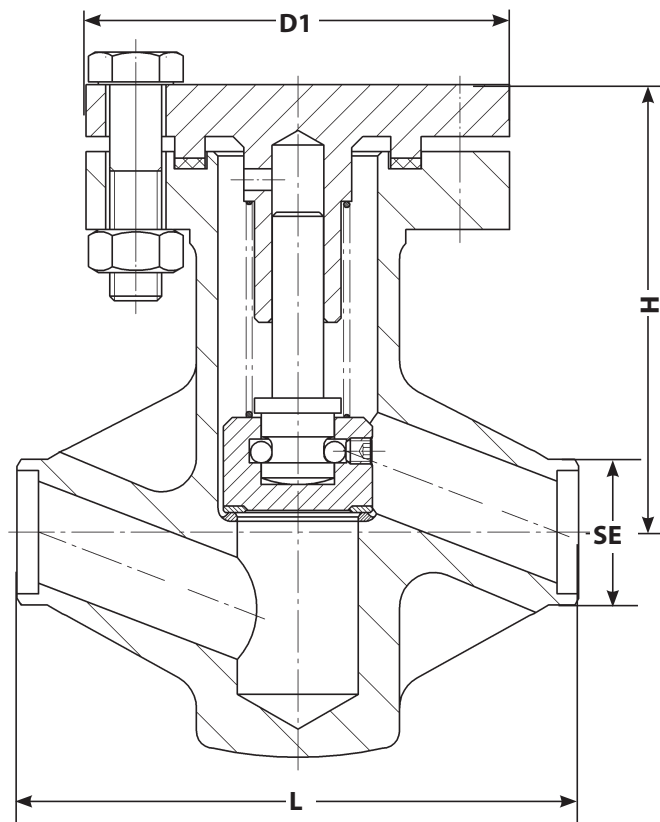
DN 15 - 50			
PN 40			
	C.S.	S.S.	Low temp.
Tmin.	-10°C	-200°C	-50°C
Tmax.	+400°C	+400°C	+300°C

Permissible working pressure acc. EN 1092 - Part 1
Terms of delivery DIN 3230/EN 12266-1
Face to face dimension acc. EN 12982

### Available on request:

Special corrosion resistant materials for:  
Complete valve - Trim  
Soft sealing disc  
Heating jacket

Detailed information and more alternatives are given in the appendix.



Component	Material		
	C.S.	S.S.	Low temp.
	14.1-G-SE	14.1-G-SE-A4	14.1-G-SE-TT
Body	1.0619/1.0460	1.4408/1.4571	1.1138/1.0488
Body seat	1.4370	Stellite 21	1.4370
Bonnet	1.0460	1.4571	1.0566
Disc	1.4571	1.4571	1.4571
Disc surface	Stellite 6	Stellite 6	Stellite 6
Bonnet gasket		1.4571/graphite	
Bolts	A2/70	A2/70	A2/70
Nuts	A2/70	A2/70	A2/70
Spring	1.4571	1.4571	1.4571
Stem	1.4571	1.4571	1.4571

DN	SE [mm]	L [mm]	H [mm]	D1 [mm]	G [kg]
15	21,3* 2,0	130	105	98	4
20	26,9* 2,3	130	105	98	4
25	33,7* 2,6	130	105	98	4
32	42,4* 2,6	160	140	113	6
40	48,3* 2,6	180	145	113	8
50	60,3* 3,2	210	165	128	10

Non return valve, straight type with buttwelding ends acc. EN 12627; spring loaded, opening pressure around 0,2 bar. With grooved bonnet gasket made of stainless steel 1.4571 with a coating of pure graphite on both sides, housed in a tongue and grooved flange.

**Carbon steel:** Body made of cast/forged material 1.0619/1.0460, seat hardfaced with stainless steel 1.4370, disc made of stainless steel 1.4571, sealing surface hardfaced with stellite 6.

**Stainless steel:** Body made of cast/forged material 1.4408/1.4571, seat hardfaced with stellite 21, disc made of stainless steel 1.4571, sealing surface hardfaced with stellite 6.

**Low temperature:** Body made of cast/forged material 1.1138/1.0488, seat hardfaced with 1.4370, disc made of stainless steel 1.4571, sealing surface hardfaced with stellite 6.

# NON RETURN VALVE, BUTTWELD ENDS

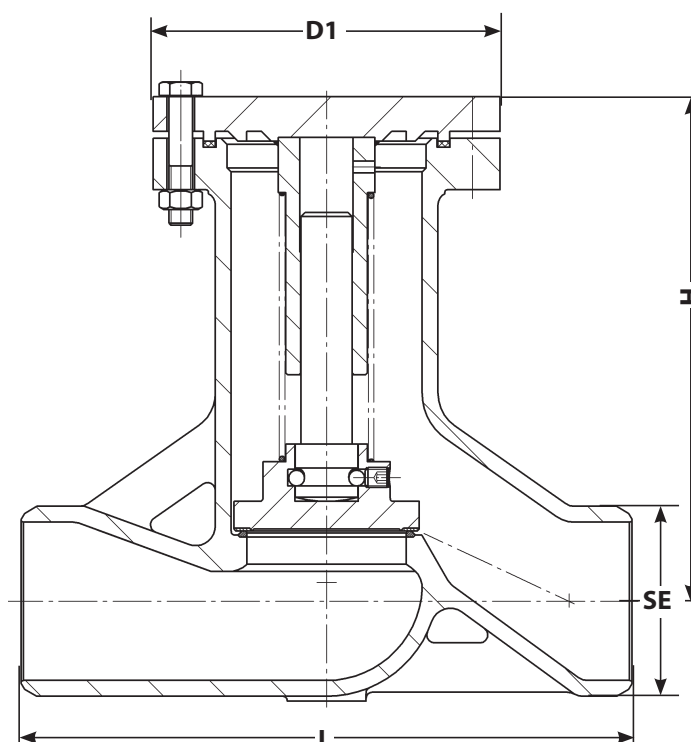
## 14.1-G-SE

<b>DN 65 - 400</b>			
<b>PN 40</b>			
	<b>C.S.</b>	<b>S.S.</b>	<b>Low temp.</b>
<b>Tmin.</b>	<b>-10°C</b>	<b>-200°C</b>	<b>-50°C</b>
<b>Tmax.</b>	<b>+400°C</b>	<b>+400°C</b>	<b>+300°C</b>

<b>Permissible working pressure acc. EN 1092 - Part 1</b>
<b>Terms of delivery DIN 3230/EN 12266-1</b>
<b>Face to face dimension acc. EN 12982</b>

### Available on request:

Special corrosion resistant materials for:  
 Complete valve - Trim  
 Soft sealing disc  
 Heating jacket



**Detailed information and more alternatives are given in the appendix.**

Component	Material		
	C.S.	S.S.	Low temp.
	14.1-G-SE	14.1-G-SE-A4	14.1-G-SE-TT
Body	1.0619	1.4408	1.1138
Body seat	1.4370	Stellite 21	1.4370
Bonnet	1.0425	1.4571	1.0566
Disc	1.4571/1.0460	1.4571	1.4571
Disc surface	St.6/1.4009	Stellite 6	Stellite 6
Gasket		1.4571/graphite	
Bolts	A2/70	A2/70	A2/70
Nuts	A2/70	A2/70	A2/70
Spring	1.4310/1.4571	1.4571	1.4310/1.4571
Stem	1.4571	1.4571	1.4571

DN	SE [mm]	L [mm]	H [mm]	D1 [mm]	G [kg]
65	76,1*	3,6	290	190	13
80	88,9*	4,0	310	255	26
100	114,3*	5,0	350	210	34
125	139,7*	4,5	400	250	49
150	168,3*	5,6	480	415	88
200	219,1*	7,1	600	380	120
250	273,0*	8,0	730	530	142
300	323,9*	8,0	850	515	272
350	355,6*	8,8	980	530	366
400	406,4*	11,0	1100	545	484

Non return valve, straight type with buttwelding ends acc. EN 12627; spring loaded, opening pressure around 0,2 bar. With grooved bonnet gasket made of stainless steel 1.4571 with a coating of pure graphite on both sides, housed in a tongue and grooved flange.

**Carbon steel:** Body made of cast material 1.0619, seat hardfaced with stainless steel 1.4370, disc made of stainless steel 1.4571, hardfaced with stellite 6 up to DN 100; above made of 1.0460, hardfaced with 1.4009.

**Stainless steel:** Body made of cast material 1.4408, seat hardfaced with stellite 21, disc made of stainless steel 1.4571, sealing surface hardfaced with stellite 6.

**Low temperature:** Body made of cast material 1.1138, seat hardfaced with 1.4370, disc made of stainless steel 1.4571, sealing surface hardfaced with stellite 6.

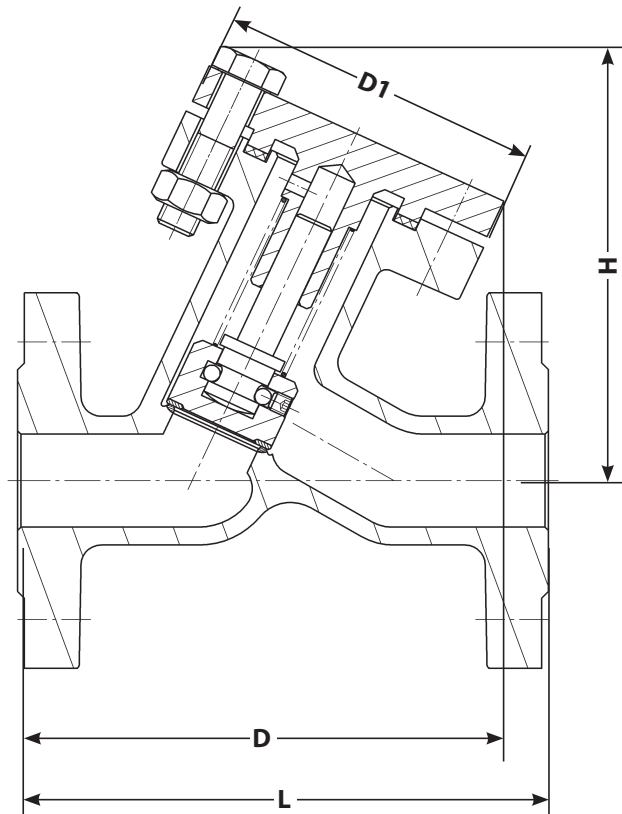
DN 15 - 50			
PN 40			
	C.S.	S.S.	Low temp.
Tmin.	-10°C	-200°C	-50°C
Tmax.	+400°C	+400°C	+300°C

Permissible working pressure acc. EN 1092 - Part 1
Terms of delivery DIN 3230/EN 12266-1
Face to face dimension acc. EN 558-1

**Available on request:**

- Special corrosion resistant materials for:
- Complete valve - Trim
- Soft sealing disc
- Heating jacket

**Detailed information and more alternatives are given in the appendix.**



Component	Material		
	C.S.	S.S.	Low temp.
	14.1-S-FL	14.1-S-FL-A4	14.1-S-FL-TT
Body	1.0619	1.4408	1.1138
Body seat	1.4370	Stellite 21	1.4370
Bonnet	1.0460	1.4571	1.0566
Disc	1.4571	1.4571	1.4571
Disc surface	Stellite 6	Stellite 6	Stellite 6
Bonnet gasket		1.4571/graphite	
Bolts	A2/70	A2/70	A2/70
Nuts	A2/70	A2/70	A2/70
Spring	1.4571	1.4571	1.4571
Stem	1.4571	1.4571	1.4571

DN	L [mm]	D [mm]	H [mm]	D1 [mm]	G [kg]
15	130	145	130	98	4
20	150	140	130	98	6
25	160	150	135	98	6
32	180	170	155	113	10
40	200	180	155	113	12
50	230	215	180	128	15

Non return valve, y- type with flanges acc. EN 1092-1; spring loaded, opening pressure around 0,2 bar.

With grooved bonnet gasket made of stainless steel 1.4571 with a coating of pure graphite on both sides, housed in a tongue and grooved flange.

**Carbon steel:** Body made of cast material 1.0619, seat hardfaced with stainless steel 1.4370, disc made of stainless steel 1.4571, sealing surface hardfaced with stellite 6.

**Stainless steel:** Body made of cast material 1.4408, seat hardfaced with stellite 21, disc made of stainless steel 1.4571, sealing surface hardfaced with stellite 6.

**Low temperature:** Body made of cast material 1.1138, seat hardfaced with 1.4370, disc made of stainless steel 1.4571, sealing surface hardfaced with stellite 6.

# NON RETURN VALVE, FLANGED ENDS

## 14.1-S-FL

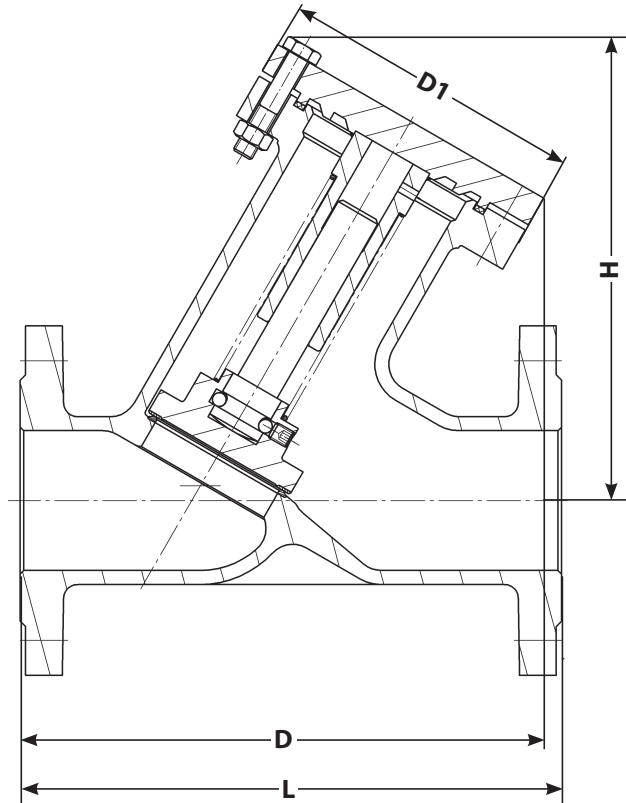
DN 65 - 400			
PN 40			
	C.S.	S.S.	Low temp.
Tmin.	-10°C	-200°C	-50°C
Tmax.	+400°C	+400°C	+300°C

Permissible working pressure acc. EN 1092 - Part 1
Terms of delivery DIN 3230/EN 12266-1
Face to face dimension acc. EN 558-1

### Available on request:

Special corrosion resistant materials for:  
 Complete valve - Trim  
 Soft sealing disc  
 Heating jacket

Detailed information and more alternatives are given in the appendix.



Component	Material		
	C.S.	S.S.	Low temp.
	14.1-S-FL	14.1-S-FL-A4	14.1-S-FL-TT
Body	1.0619	1.4408	1.1138
Body seat	1.4370	Stellite 21	1.4370
Bonnet	1.0425	1.4571	1.0566
Disc	1.4571/1.0460	1.4571	1.4571
Disc surface	St.6/1.4009	Stellite 6	Stellite 6
Gasket		1.4571/graphite	
Bolts	A2/70	A2/70	A2/70
Nuts	A2/70	A2/70	A2/70
Spring	1.4310/1.4571	1.4571	1.4310/1.4571
Stem	1.4571	1.4571	1.4571

DN	L [mm]	D [mm]	H [mm]	D1 [mm]	G [kg]
65	290	260	195	143	22
80	310	300	265	176	35
100	350	340	285	210	52
125	400	375	320	250	64
150	480	525	440	308	113
200	600	595	475	365	160
250	730	805	665	435	210
300	850	870	700	515	320
350	980	945	750	584	446
400	1100	990	780	648	614

Non return valve, y- type with flanges acc. EN 1092-1; spring loaded, opening pressure around 0,2 bar.

With grooved bonnet gasket made of stainless steel 1.4571 with a coating of pure graphite on both sides, housed in a tongue and grooved flange.

**Carbon steel:** Body made of cast material 1.0619, seat hardfaced with stainless steel 1.4370, disc made of stainless steel 1.4571, sealing surface hardfaced with stellite 6 up to DN 100; above made of 1.0460, hardfaced 1.4009.

**Stainless steel:** Body made of cast material 1.4408, seat hardfaced with stellite 21, disc made of stainless steel 1.4571, sealing surface hardfaced with stellite 6.

**Low temperature:** Body made of cast material 1.1138, seat hardfaced with 1.4370, disc made of stainless steel 1.4571, sealing surface hardfaced with stellite 6.

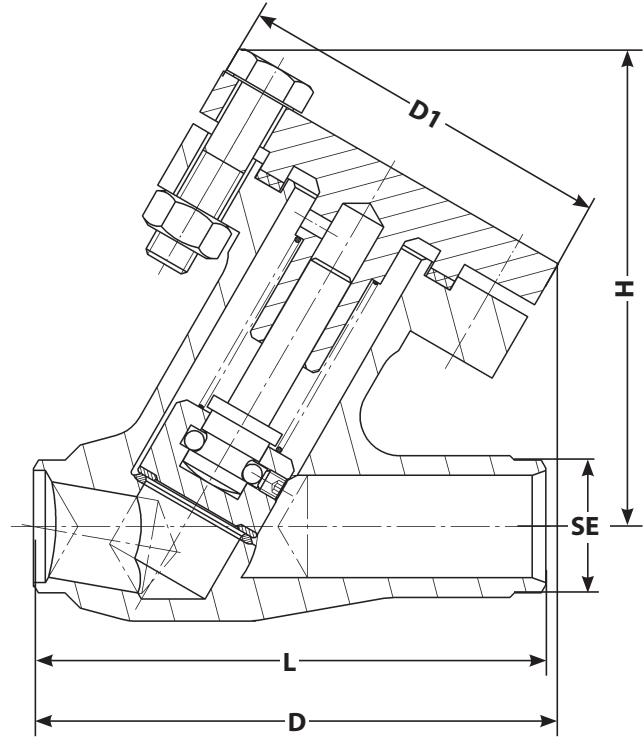
DN 15 - 50			
PN 40			
	C.S.	S.S.	Low temp.
Tmin.	-10°C	-200°C	-50°C
Tmax.	+400°C	+400°C	+300°C

Permissible working pressure acc. EN 1092 - Part 1
Terms of delivery DIN 3230/EN 12266-1
Face to face dimension acc. EN 12982

**Available on request:**

- Special corrosion resistant materials for:
- Complete valve - Trim
- Soft sealing disc
- Heating jacket

**Detailed information and more alternatives are given in the appendix.**



Component	Material		
	C.S.	S.S.	Low temp.
	14.1-S-SE	14.1-S-SE-A4	14.1-S-SE-TT
Body	1.0619/1.0460	1.4408/1.4571	1.1138/1.0488
Body seat	1.4370	Stellite 21	1.4370
Bonnet	1.0460	1.4571	1.0566
Disc	1.4571	1.4571	1.4571
Disc surface	Stellite 6	Stellite 6	Stellite 6
Gasket		1.4571/graphite	
Bolts	A2/70	A2/70	A2/70
Nuts	A2/70	A2/70	A2/70
Spring	1.4571	1.4571	1.4571
Stem	1.4571	1.4571	1.4571

DN	SE [mm]	L [mm]	D [mm]	H [mm]	D1 [mm]	G [kg]
15	21,3* 2,0	130	135	125	98	4
20	26,9* 2,3	130	135	125	98	4
25	33,7* 2,6	130	135	125	98	4
32	42,4* 2,6	160	175	155	113	6
40	48,3* 2,6	180	170	150	113	8
50	60,3* 3,2	210	205	180	128	10

Non return valve, y- type with butt welding ends acc. EN 12627; spring loaded, opening pressure around 0,2 bar. With grooved bonnet gasket made of stainless steel 1.4571 with a coating of pure graphite on both sides, housed in a tongue and grooved flange.

**Carbon steel:** Body made of cast/forged material 1.0619/1.0460, seat hardfaced with stainless steel 1.4370, disc made of stainless steel 1.4571, sealing surface hardfaced with stellite 6.

**Stainless steel:** Body made of cast/forged material 1.4408/1.4571, seat hardfaced with stellite 21, disc made of stainless steel 1.4571, sealing surface hardfaced with stellite 6.

**Low temperature:** Body made of cast/forged material 1.1138/1.0488, seat hardfaced with 1.4370, disc made of stainless steel 1.4571, sealing surface hardfaced with stellite 6.

# NON RETURN VALVE, BUTTWELD ENDS

## 14.1-S-SE

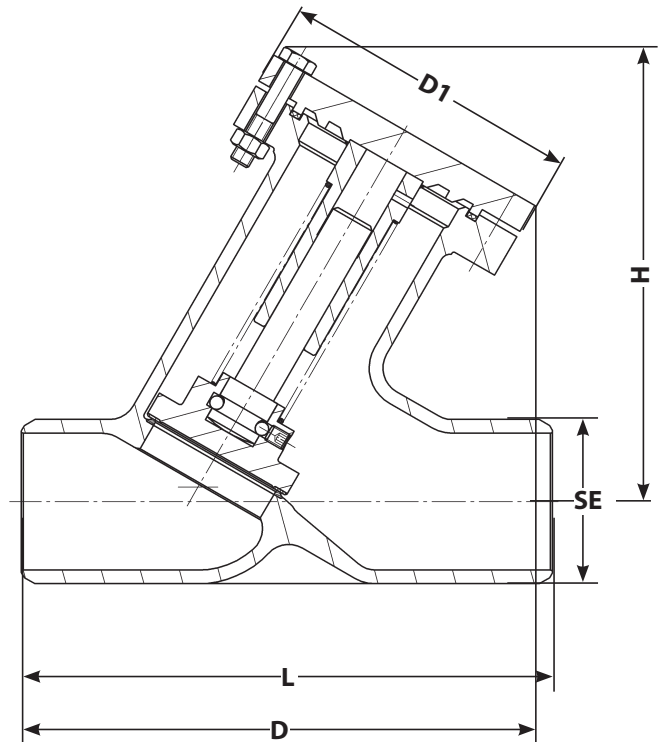
<b>DN 65 - 400</b>			
<b>PN 40</b>			
	<b>C.S.</b>	<b>S.S.</b>	<b>Low temp.</b>
<b>Tmin.</b>	<b>-10°C</b>	<b>-200°C</b>	<b>-50°C</b>
<b>Tmax.</b>	<b>+400°C</b>	<b>+400°C</b>	<b>+300°C</b>

<b>Permissible working pressure acc. EN 1092 - Part 1</b>
<b>Terms of delivery DIN 3230/EN 12266-1</b>
<b>Face to face dimension acc. EN 12982</b>

**Available on request:**

Special corrosion resistant materials for:  
 Complete valve - Trim  
 Soft sealing disc  
 Heating jacket

**Detailed information and more alternatives are given in the appendix.**



Component	Material		
	C.S.	S.S.	Low temp.
	<i>14.1-S-SE</i>	<i>14.1-S-SE-A4</i>	<i>14.1-S-SE-TT</i>
Body	1.0619	1.4408	1.1138
Body seat	1.4370	Stellite 21	1.4370
Bonnet	1.0425	1.4571	1.0566
Disc	1.4571/1.0460	1.4571	1.4571
Disc surface	St.6/1.4009	Stellite 6	Stellite 6
Gasket		1.4571/graphite	
Bolts	A2/70	A2/70	A2/70
Nuts	A2/70	A2/70	A2/70
Spring	1.4310/1.4571	1.4571	1.4310/1.4571
Stem	1.4571	1.4571	1.4571

DN	SE [mm]	L [mm]	D [mm]	H [mm]	D1 [mm]	G [kg]
65	76,1*	3,6	290	260	195	143
80	88,9*	4,0	310	300	265	176
100	114,3*	5,0	350	340	285	210
125	139,7*	4,5	400	375	320	250
150	168,3*	5,6	480	525	440	308
200	219,1*	7,1	600	595	475	365
250	273,0*	8,0	730	805	665	435
300	323,9*	8,0	850	870	700	515
350	355,6*	8,8	980	945	750	584
400	406,4*	11,0	1100	990	780	648

Non return valve, y- type with buttwelding ends acc. EN 12627; spring loaded, opening pressure around 0,2 bar. With grooved bonnet gasket made of stainless steel 1.4571 with a coating of pure graphite on both sides, housed in a tongue and grooved flange.

**Carbon steel:** Body made of cast material 1.0619, seat hardfaced with stainless steel 1.4370, disc made of stainless steel 1.4571, sealing surface hardfaced with stellite 6 up to DN 100; above made of 1.0460, hardfaced with 1.4009.

**Stainless steel:** Body made of cast material 1.4408, seat hardfaced with stellite 21, disc made of stainless steel 1.4571, sealing surface hardfaced with stellite 6.

**Low temperature:** Body made of cast material 1.1138, seat hardfaced with 1.4370, disc made of stainless steel 1.4571, sealing surface hardfaced with stellite 6.