



GLOBE VALVES

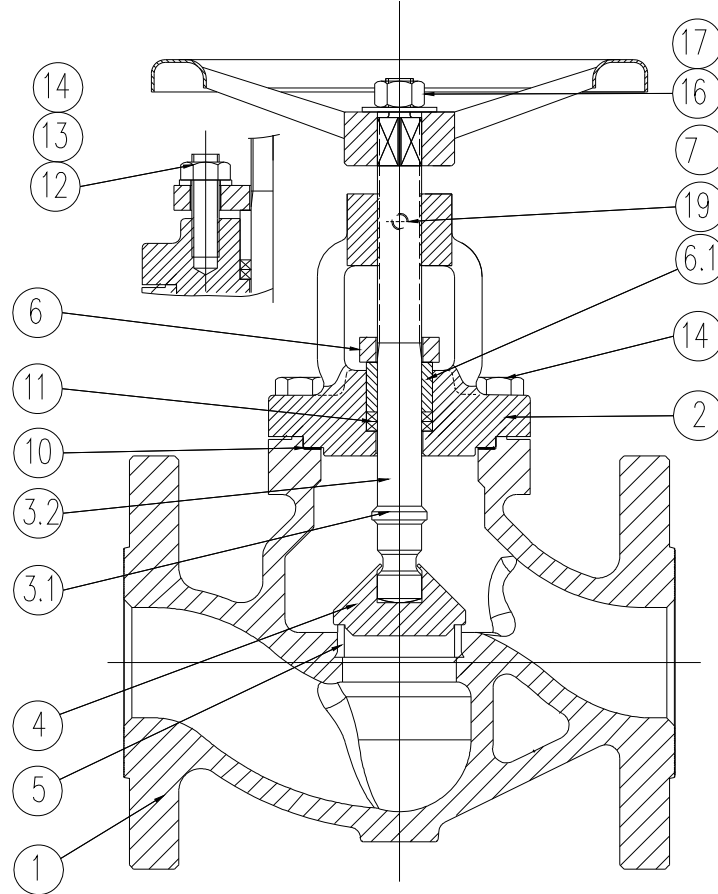
Cast Iron & Carbon Steel

DN 15 - 200 PN16 & (PN40 Carbon Steel)

Fig. GV116 & GV340

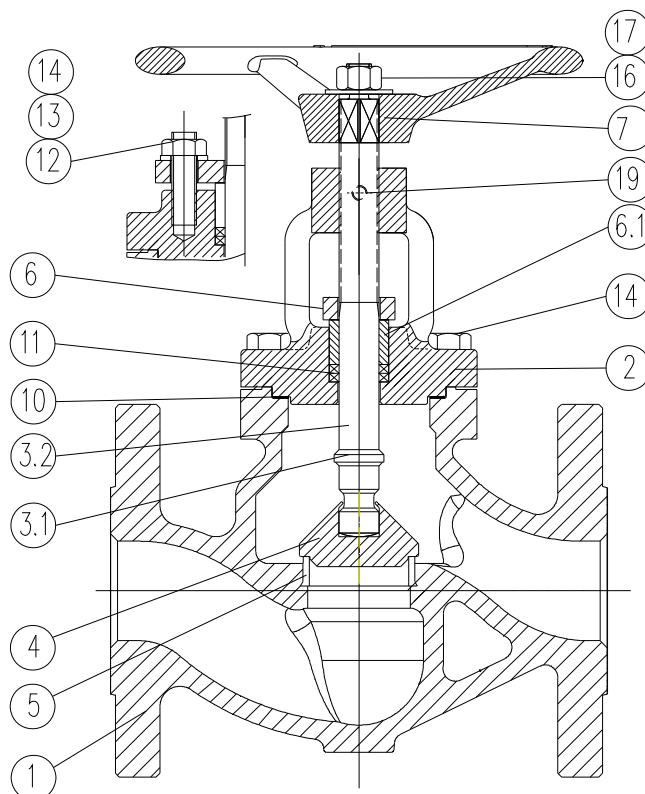


Parts and Materials GV116 PN16



Item	Description	Material Fig. GV 116 PN16	
		DN15 to DN 150	DN 200
1	Body	EN-JGL 250	
2	Bonnet	EN-JGJL 250	
3	Spindle	X 12 CrNi S 18 8	
4	Disc	X 20 Cr 13	
5	Seat	X 22 Cr Ni 17	
6	Gland	S 235 JR + ZP	
6.1	Gland Retainer	1,1191 + ZP	
7	Handw heel	PLATE C. STEEL	EN-GJS 400
10	Gasket	Graphite	
11	Packing	Graphite	
12	Gland Bolts	5.6	
15	Bolts	5,6	
16	Handw heel nut	A2	
17	Washer	A2	

Parts and Materials GV340 PN40

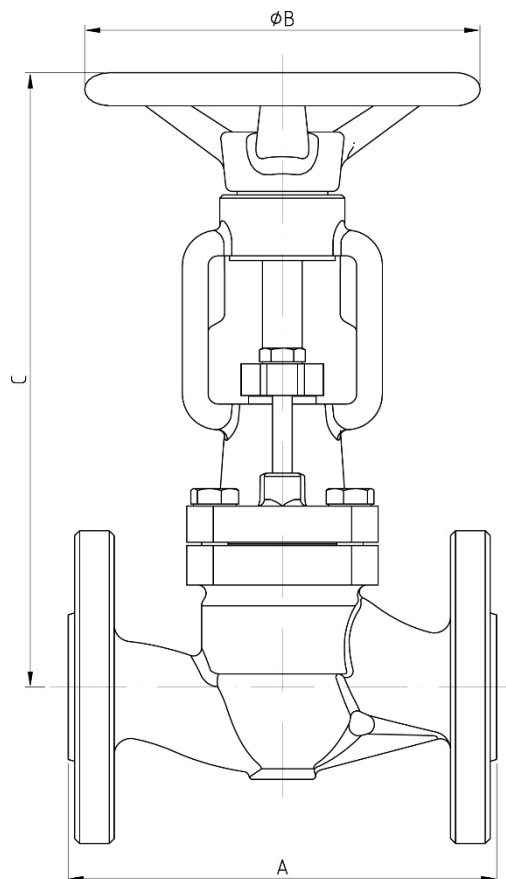


Item	Description	Material Fig. GV 340 PN40	
		DN15 to DN 100	DN125 to DN 200
1	Body	1,0619	
2	Bonnet	1,0619	
3	Spindle	X 12 CrNi S 18 8	
4	Disc	X 20 Cr 13	
5	Seat	X 22 Cr Ni 17	
6	Gland	S 235 JR+ZP	
6.1	Gland Retainer	1,1191 + ZP	
7	Hand wheel	EN-GJS 400	
10	Gasket	Graphite	
11	Packing	Graphite	
12	Gland Bolts	8,8	
15	Bolts	A 193 B7M	
16	Hand wheel nut	A2	
17	Washer	A2	

GLOBE VALVES PN16 & PN40

General dimensions

General Dimensions



DN	A	C(1)	ØB	Kv	Weight	
					B116	B340
15	130	155	120	4	3	3,5
20	150	160	120	7	3,9	4,3
25	160	180	140	11	4,3	6,3
32	180	180	140	19	5,6	7,3
40	200	220	180	30	10,5	12,5
50	230	230	180	46	12,5	15
65	290	280	200	70	20,5	22,5
80	310	285	200	115	26	27,5
100	350	315	250	150	39	42
125	400	523	275	220	52,5	67
150	480	541	330	310	80	99
200	600	699	400	675	152	200


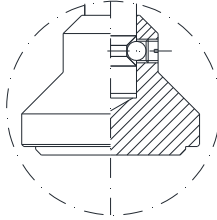
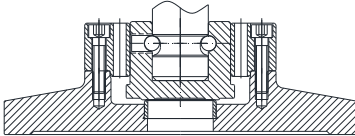

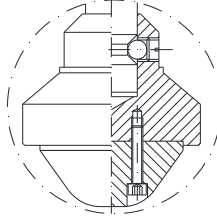
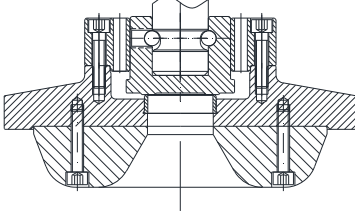
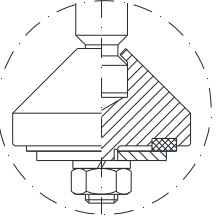
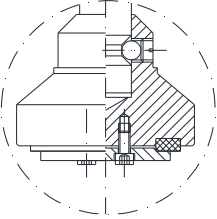
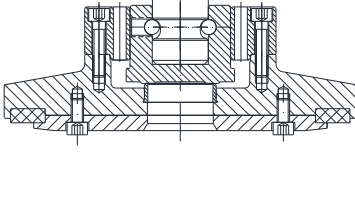
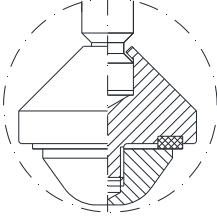
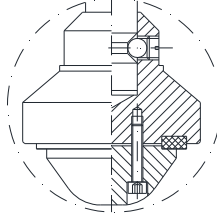
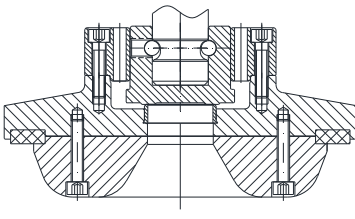
(*) Dimensions in mm and weight in kg

(1) Closed valve.

Note:

Dimensions not subject to International Standards can vary in $\pm 10\%$. ICP reserves the right to change those dimensions without notice, due to they do not affect integrity and performance of the valves.

DISC OPTIONS

FIG.: GV116 & GV340		
DN 15 TO DN 65	DN 80 TO DN 150	DN 200
STANDARD DISC		
		
TYPE A (THROTTLING PLUG)		
		
TYPE B (DISC WITH SOFT SEAT)		
		
TYPE C (THROTTLING PLUG + SOFT SEAT)		
		

Note:

Dimensions not subject to International Standards can vary in $\pm 10\%$. ICP reserves the right to change those dimensions without notice, due to they do not affect integrity and performance of the valves.

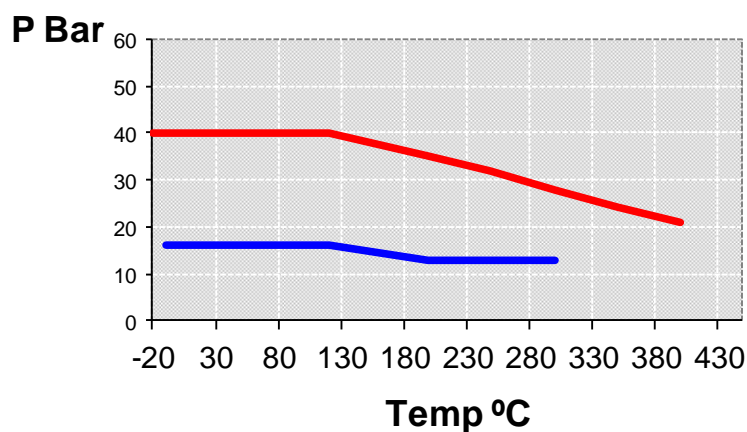
GLOBE VALVES PN16 & PN40

General Characteristics, P&T Rating

General Characteristics

Figure	Material	PN
G116	EN-GJL-250	16
G340	10.619	40
DESIGN STANDARDS		
Valve Design	DIN 3840	
Flanged dimensions	EN 1092	
Face to Face Dimensions	EN 558 Series1	
Visual Inspection	MSS SP-55	
Marking	EN 19	

— EN-GJL-25 — 1.0619



Main Characteristics:

- *Asbestos Free packing and seals
- **Non-rising spinle!!*
- *Position Indicator
- *“Back” seat device!!

- Applications:**
- No corrosive or no toxic fluids
 - Steam
 - Hydrocarbons