

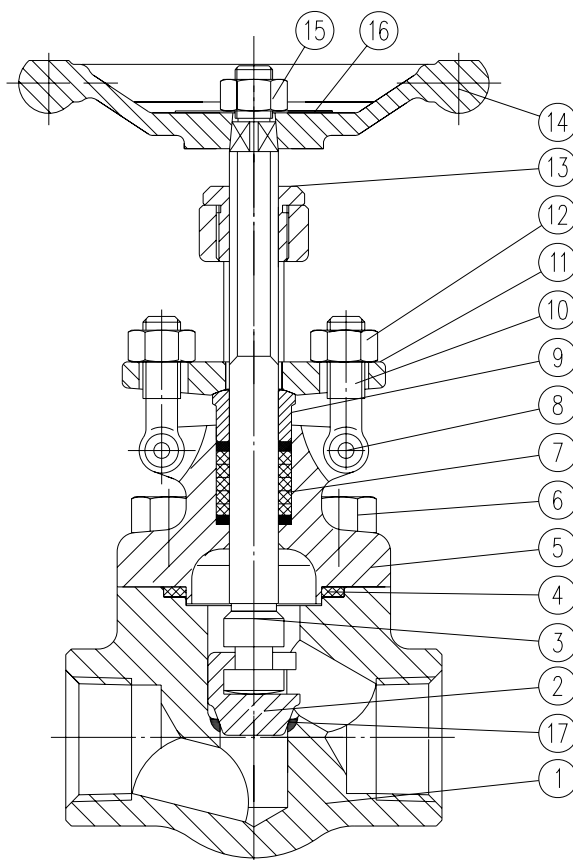


FIG. G800

GLOBE VALVE

BS 5352, ASME B16.34
Connections according to:
ANSI B 1.20.1 (NPT)
ANSI B 16.11 (SW)
CE

Parts and materials

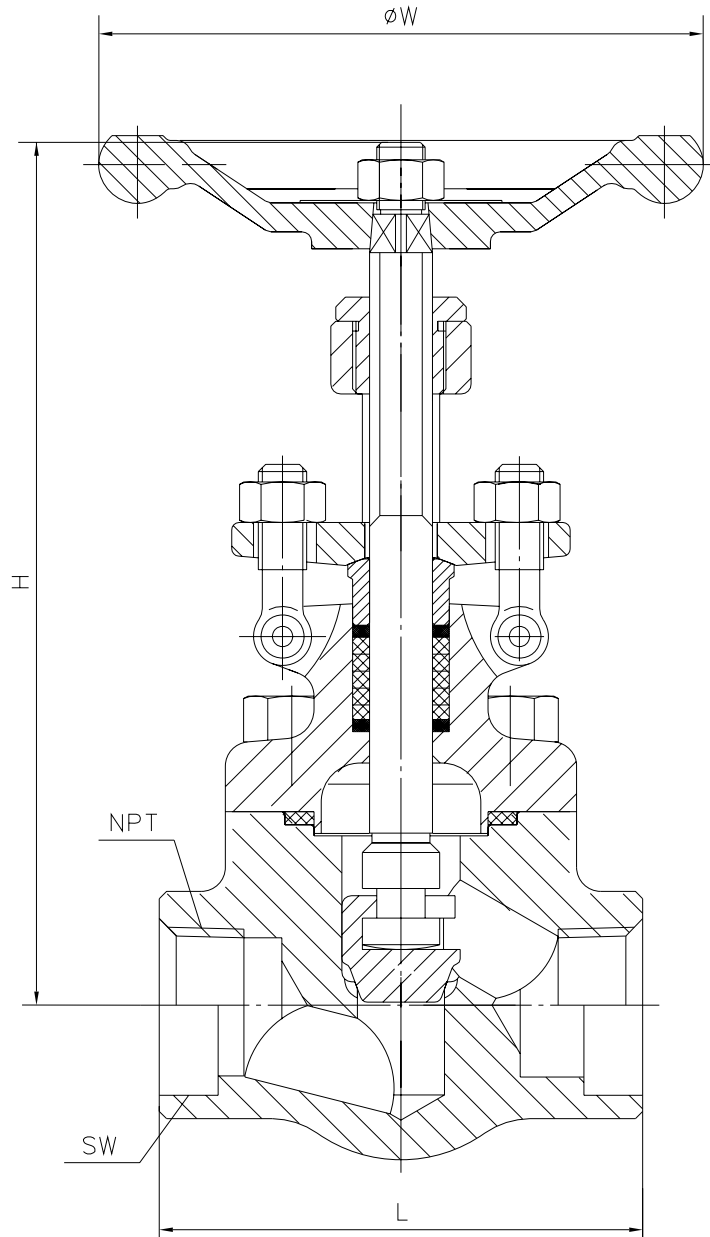


Item	Description	Material	
		Carbon Steel	Stainless Steel
1	Body	A 105	A 182 F316L
2	Disc	AISI 420 + STL	A 182 F316L
3	Stem	AISI 410	A 182 F316L
4	Gasket	AISI 304 + Graphite	AISI 316 + Graphite
5	Bonnet	A 105	A 182 F316L
6	Bolt	A 193 B7	A 193 B8M
7	Packing	Flexible Graphite + Carbon Fibre	
8	Pin	AISI 420	AISI 304
9	Packing Gland	AISI 420	AISI 316L
10	Eye Bolt	A 193 B8	A 193 B8M
11	Gland Flange	A 105	A 182 F316L
12	Hex Nut	A 194 8	A 194 8M
13	Yoke Nut	AISI 410	
14	Handw heel	A 197	
15	Hex Nut	1035 Zinc Plated	
16	Nameplate	Aluminium	
17	Seat	A 105 + STL	A 182 F316L + STL

Forged Globe Valves

Fig. G800 Class 800

Dimensions



Dimensions

SIZE	L	NPT	ϕW	H	Weight
1/2" (DN 15)	79	1/2"	100	158	2,2
3/4" (DN 20)	92	3/4"	100	163	2,4
1" (DN 25)	110	1"	125	193	4,2
1 1/4" (DN 32)	152	1 1/4"	160	250	6
1 1/2" (DN 40)	152	1 1/2"	160	250	8
2" (DN 50)	172	2"	180	291	12,8

Forged Globe Valves

Fig. G800 Class 800

General Characteristics

GENERAL CHARACTERISTICS	Forged Globe Valve		
DESIGN STANDARDS			
Valves design	BS 5352	ASME B16.34	
Connections	ANSI B 1.20.1	ANSI B 16.11	
Face to face dimensions	Manufacturer's standard		
TESTS AND CERTIFICATES			
Quality Assurance	API 598		
Pressure testing	ISO 9001		
Marking	EN 12266-1		
	EN 19		

Kv Values in m3/h

VALVE SIZE	Kv	VALVE SIZE	Kv
½" (DN 15)	1	1¼" (DN 32)	9,5
¾" (DN 20)	2,3	1½" (DN 40)	15
1" (DN 25)	4,6	2" (DN 50)	19,9

Pressure-Temperature

ASTM A105

